

INSTALLATION INSTRUCTIONS

HANDLES, KEEPERS AND OTHER COMPONENTS MAY NOT BE AN EXACT MATCH WITH WHAT YOU ARE INSTALLING BUT THE INSTALLATION PROCEDURE IS BASICALLY THE SAME.



STEP 2

DETERMINE THE PROPER LENGTH OF MOUNTING SCREWS.

#8-32 x 1.75

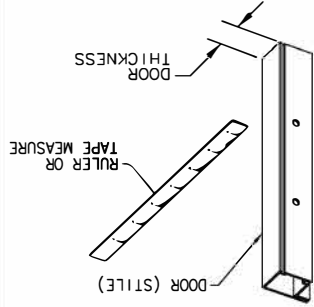
#8-32 x 2.125

#8-32 x 2.5

DOOR THICKNESS RANGE	#8-32 PHILLIPS SCREW LENGTH
1 3/16 TO 1 9/16	1.750
1 9/16 TO 1 15/16	2.125
1 15/16 TO 2 5/16	2.500

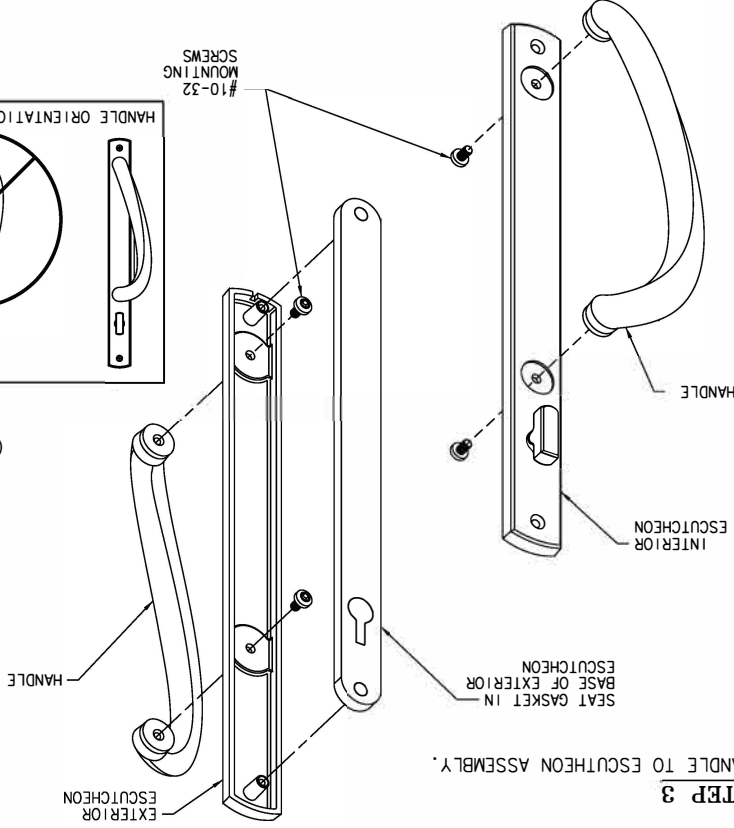
STEP 1

MEASURE DOOR THICKNESS.



STEP 3

HANDLE TO ESCUTCHEON ASSEMBLY.



1. FASTEN THE HANDLES TO ESCUTCHEONS USING THE SHORT #10-32 MOUNTING SCREWS AS INDICATED.

2. INSTALL MORTISE LOCK.

3. INSERT TAB AS SHOWN INTO DRIVE HUB OF THE MORTISE LOCK.

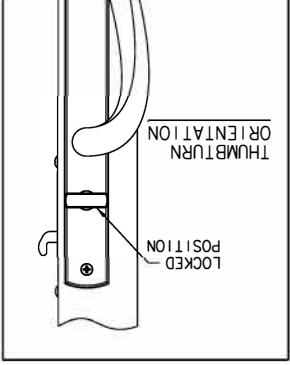
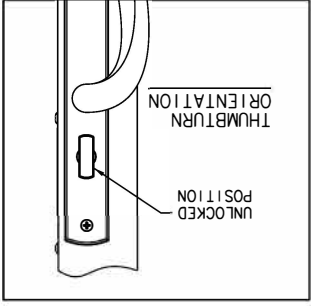
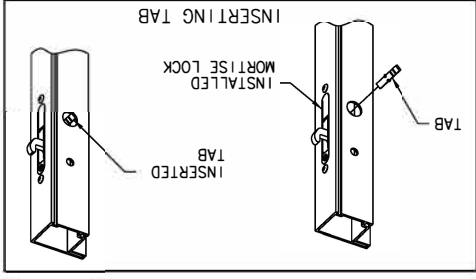
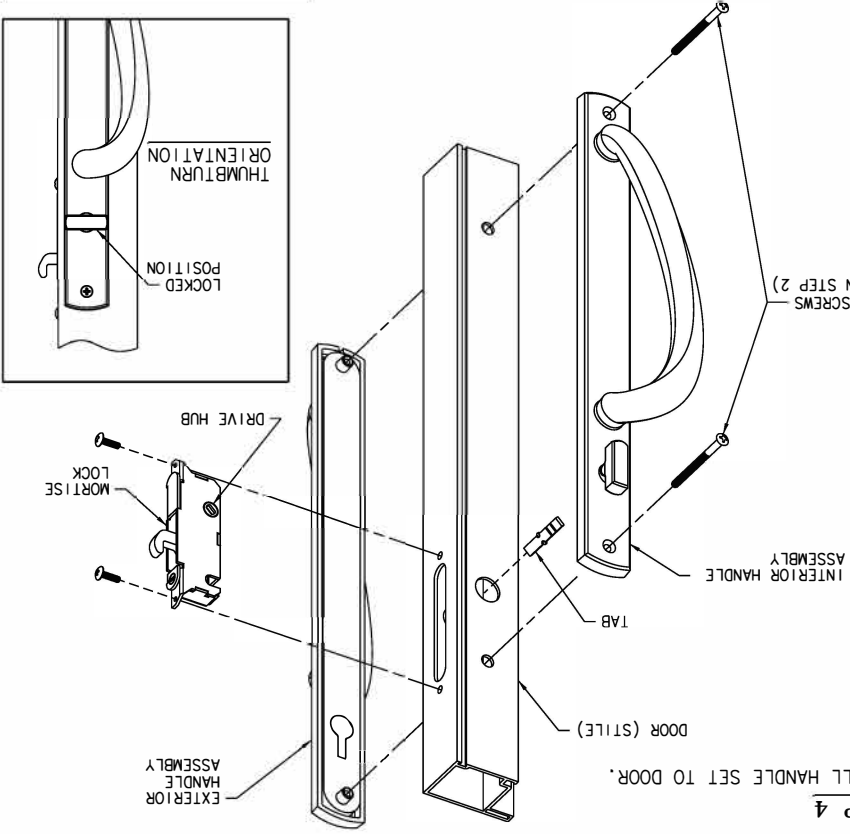
4. PLACE EXTERIOR AND INTERIOR HANDLE ASSEMBLIES ON THE DOOR WITH THE HANDGRIP TOWARD THE GLASS. BE SURE THAT THE TUNG IS EXTENDING INTO THUMB TURN. THEN INSTALL USING THE DETERMINED TWO #8-32 LONG MOUNTING SCREWS AND TIGHTEN AS REQUIRED.

5. USE PROPER TOOLS AND PROTECTIVE EYEWEAR DURING INSTALLATION.

#8-32 MOUNTING SCREWS (LENGTH DETERMINED IN STEP 2)

STEP 4

INSTALL HANDLE SET TO DOOR.



INSTALLATION INSTRUCTIONS

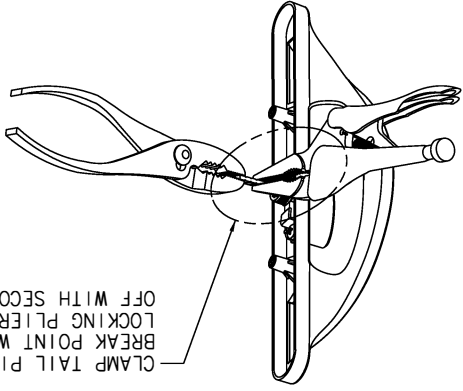
HANDLES, KEEPERS AND OTHER COMPONENTS MAY NOT BE AN EXACT MATCH WITH WHAT YOU ARE INSTALLING BUT THE INSTALLATION PROCEDURE IS BASICALLY THE SAME.



STEP 5

2. BREAK OFF TAIL ENDS WITH PLIERS

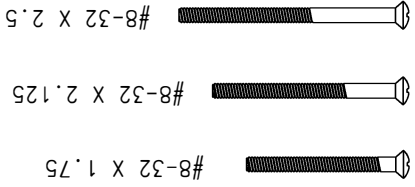
CLAMP TAIL PIECE AT BREAK POINT WITH LOCKING PLIERS, BREAK OFF WITH SECOND PLIERS



STEP 4

SIZE TAIL PIECES TO SUIT DOOR THICKNESS

DOOR THICKNESS RANGE	#8-32 PHILLIPS SCREW LENGTH
1 3/16 TO 1 9/16	1.750
1 9/16 TO 1 15/16	2.125
1 15/16 TO 2 5/16	2.500

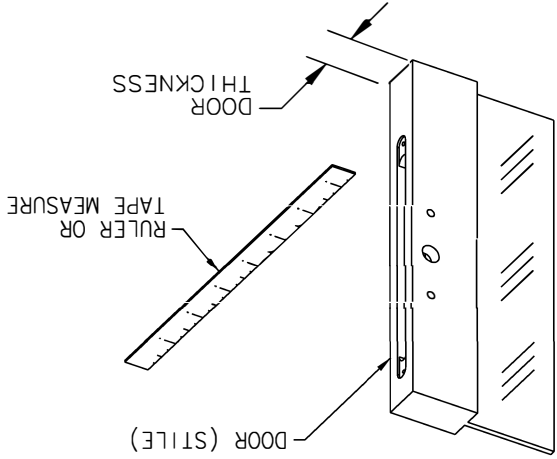


STEP 2

DETERMINE THE PROPER LENGTH OF MOUNTING SCREWS.

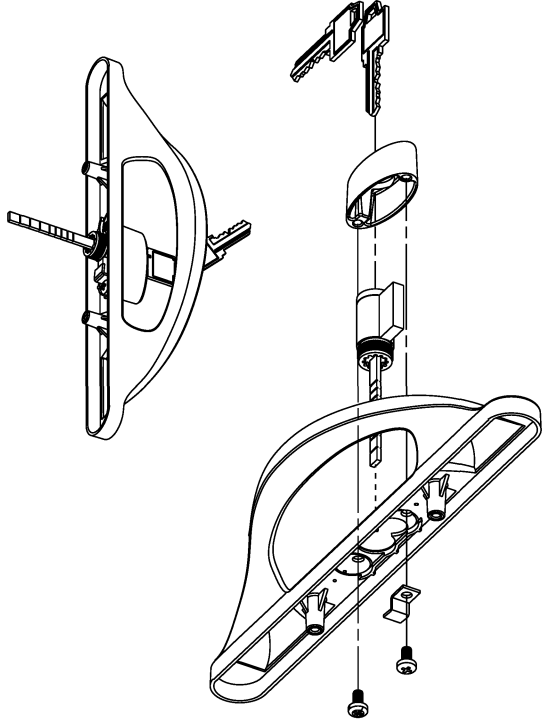
STEP 1

MEASURE DOOR THICKNESS.



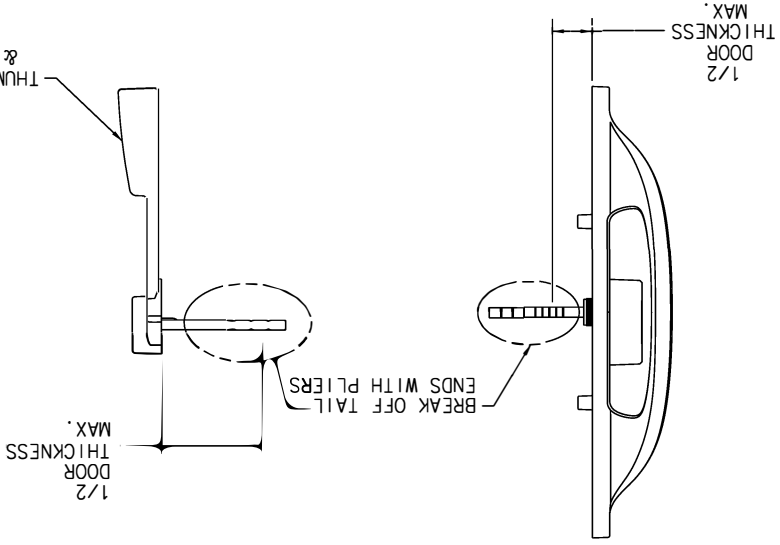
STEP 3

LOCK CYLINDER / ESCUTCHEON ASSEMBLY



STEP 4

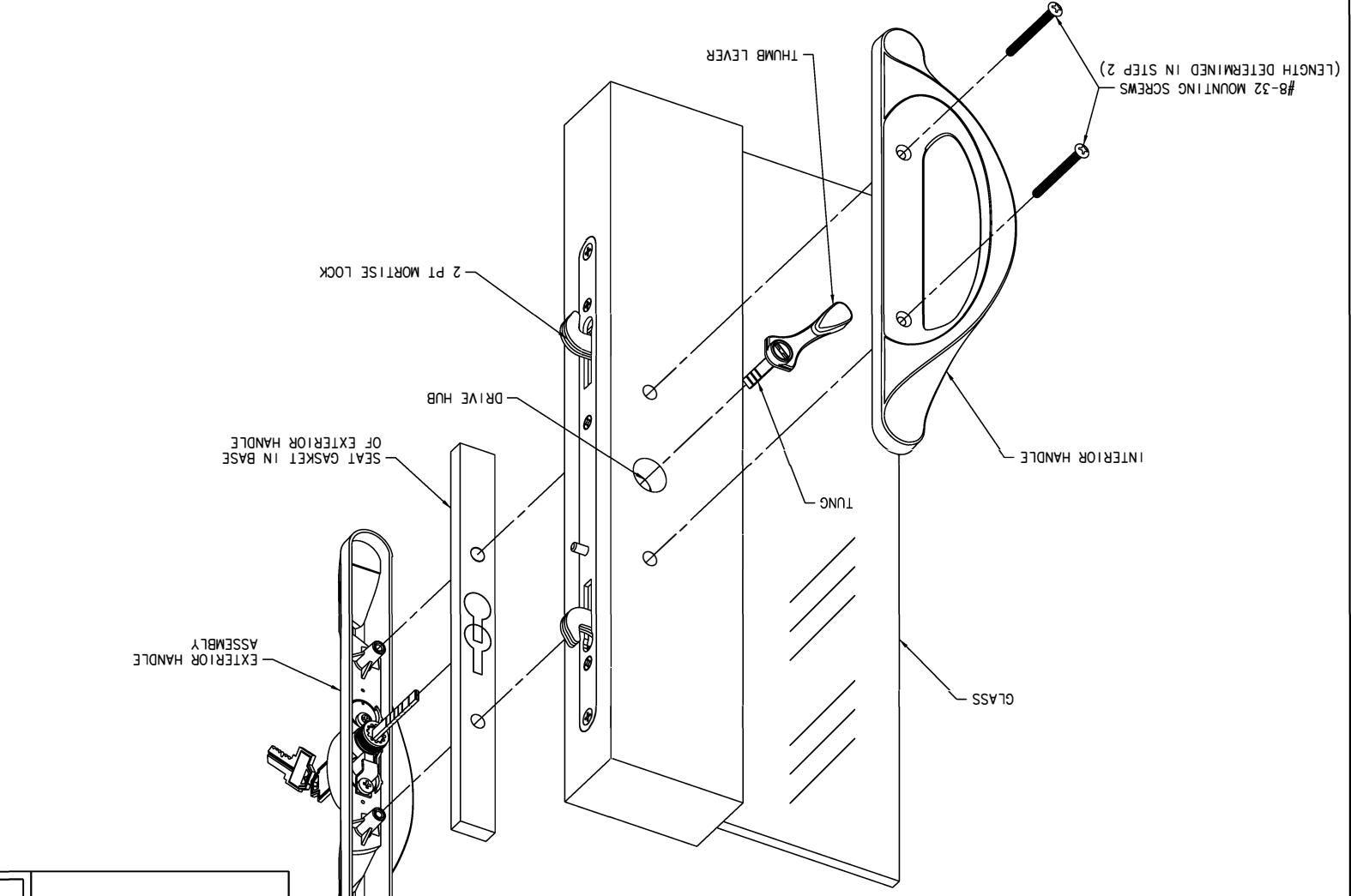
SIZE TAIL PIECES TO SUIT DOOR THICKNESS



DETERMINING TAIL PIECE BY FINDING BREAK MARK CLOSEST TO 1/2 DOOR THICKNESS MAX.

INSTALLATION INSTRUCTIONS

HANDLES, KEEPERS AND OTHER COMPONENTS MAY NOT BE AN EXACT MATCH WITH WHAT YOU ARE INSTALLING BUT THE INSTALLATION PROCEDURE IS BASICALLY THE SAME.



STEP 6 INSTALL HANDLE SET TO DOOR

1. INSTALL MORTISE LOCK AND INSERT LEVER WITH TUNG EXTENDING INTO THE DRIVE HUB OF THE MORTISE LOCK.
2. PLACE EXTERIOR HANDLE ASSEMBLY WITH CYLINDER TAIL EXTENDING THROUGH MORTISE LOCK DRIVE HUB.
3. PLACE INTERIOR HANDLE OVER THE THUMB LEVER AND FASTEN TO EXTERIOR HANDLE ASSEMBLY USING THE DETERMINED TWO #8-32 MOUNTING SCREWS.
4. BE SURE TO MOUNT HANDLE ASSEMBLIES ON DOOR WITH HANDGRIP TOWARD THE GLASS.