

## VUPOINT SERIES AWNING (PROJECT-OUT)

### FEATURES

- ◇ **Commercial Framing System**
  - 3 1/4" main frame
- ◇ **Enhanced Design**
  - Mitered and welded corners
- ◇ **Glazing**
  - 1" insulated glass
- ◇ **Integral Nailing Fin**
- ◇ **Hardware**
  - Multi-point locking system with fold-down handle to avoid interference with window blinds
  - Heavy commercial 4-bar arms
  - Low profile flat lock
- ◇ **Screen**
  - Flex Screen
- ◇ **Colors**
  - White or Sandstone vinyl (interior/exterior)

### BENEFITS

- ◇ The capacity to match exterior colors for unique project facades
- ◇ The ability to facilitate large sizes for taller and wider window openings

### PERFORMANCE

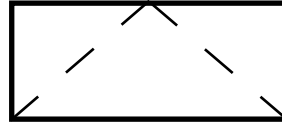
- ◇ Structural & Thermal (test reports or thermal simulations available upon request)

### OPTIONS

- ◇ **Available Configurations**
  - Project-out awning
- ◇ **Muntin Choices**
  - Internal or simulated divided lites available
- ◇ **Limited Travel Hardware**
- ◇ **Screen**
  - Extruded aluminum screen frame with BetterVue™ mesh with WaterShed® technology
  - Extruded aluminum screen frame with aluminum wire mesh
  - Extruded aluminum screen frame with sunscreen mesh
  - Extruded aluminum screen frame with stainless steel 0.009" thickness mesh
- ◇ **Glazing**
  - Multiple Low-E and argon glazing choices
  - Triple glazing (Energy TG)
  - Capillary tubes
  - Wide variety of glazing, tinting and thickness options
- ◇ **Panning & Trim Choices**
  - Wide variety of panning, receptor and trim available
- ◇ **Mulling**
  - Wide variety of structural mulls
- ◇ **Colors**
  - High-performance Textured Black laminate (interior/exterior)
  - High-performance Textured Black laminate (exterior only with White vinyl or Textured Black laminate interior)
  - High-performance Textured Dark Bronze laminate (exterior only with White vinyl interior)
  - Twelve painted exterior colors (with White or Sandstone vinyl interior)
  - Unlimited custom painted exterior colors

Model	Awning (Project-Out)
NAFS Rating	CW-50
Structural Load P.S.F.	75.19
Air at 50 MPH (cfm/ft <sup>2</sup> )	0.01
Water (No Penetration) P.S.F.	7.5
U-Value (ranges based on multiple Low-E/Argon combinations)	0.24-0.28
SHGC (ranges based on multiple Low-E/Argon combinations)	0.11-0.41

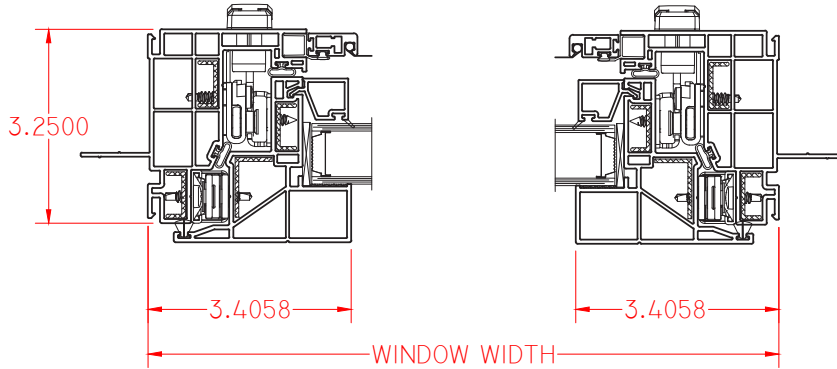
Window test size: 60" x 32"



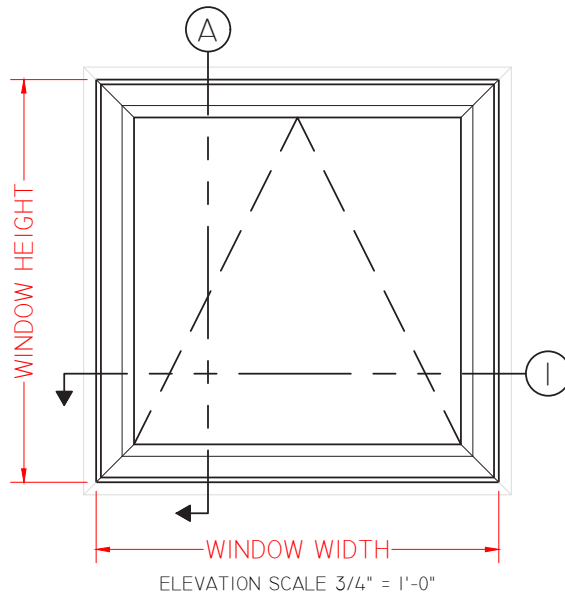
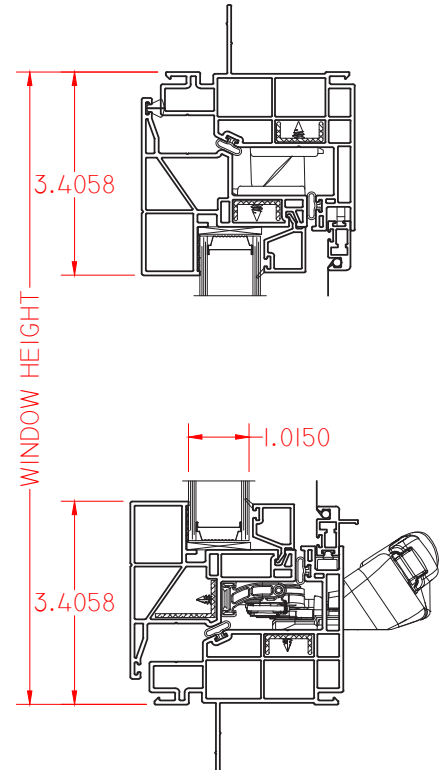
**VuPoint Series**  
**3 1/4" Frame Depth**  
**Awning (Project-Out)**

**VUPOINT AWNING**

This document contains confidential and proprietary information intended for the private use of Quaker.  
© 2016 Quaker Window Products Co., INC. All rights reserved.  
Quaker reserves the right to change any/all designs without notice. Due to periodic re-certification requirements, result shown may vary.



VERTICAL CROSS SECTION



SCALE 1:3

Our products are tested to the standards of and certified by some of the foremost organizations in the fenestration industry.

