



ModernVu LC-25 5" Frame Depth Sliding Door

MODERNVU SERIES SLIDING DOOR

The Quaker ModernVu Series Sliding door is ideal for a variety of applications including - Single Family Residential, Multi-Family, Energy Efficient, Institutions, Education, Apartments and Assisted Living.

FEATURES

- ◇ Commercial Framing System
 - 5" main frame
 - 1 9/16" sill height
 - 0.070 extruded wall thickness of frame
 - 0.062" extruded wall thickness of sash
 - Frames shipped K.D.
- ◇ Thermally Enhanced Design
 - Azon pour and debridge thermal break is ½" wide in all main frame and vent rail extrusions
 - Internal weep system for effective water damage
 - Steel Roller System
 - Mitered panels with heavy-duty corner keys
- ◇ Integral Nailing Fin
- ◇ Glazing
 - 1" tempered insulated glass
- ◇ Hardware
 - Heavy-duty steel rollers operate in stainless steel roller track, making operation easy and smooth
 - D-Loop Handle hardware (interior & exterior)
- ◇ Screen
 - Extruded aluminum screen frame with BetterVue™ mesh with WaterShed® technology

OPTIONS

- ◇ Available Configurations
 - Fixed-Active
 - Active-Fixed
 - Fixed-Active-Fixed
 - Fixed-Fixed-Active
 - Active-Fixed-Fixed
 - Fixed-Active-Active-Fixed
- ◇ Muntin Choices
 - Internal or simulated divided lites available
- ◇ Screen
 - Extruded aluminum screen frame with aluminum wire mesh
 - Extruded aluminum screen frame with sunscreen mesh
 - Extruded aluminum screen frame with stainless steel 0.009" thickness mesh
- ◇ Glazing
 - Up to 1 3/8" thickness of I.G. available
 - Variety of Energy-Efficient glass packages
 - Impact Glazing
 - Sound attenuation glazing packages for STC/OITC
- ◇ Hardware
 - Premium 2" roller system
 - Flush Handle hardware
- ◇ Panning & Trim Choices
 - Structural Transition mulls
 - Wide variety of panning, receptor and trim available

BENEFITS

- ◇ The capacity to match exterior colors for unique project facades
- ◇ The ability to facilitate custom sizes for taller and wider door openings

PERFORMANCE

- ◇ Structural & Thermal (test reports or thermal simulations available upon request)

Model	Sliding Door		
	Active-Fixed	Fixed-Active-Fixed	Fixed-Active-Active-Fixed
Test Sizes	96" x 108"	144" x 96"	192" x 84"
NAFS Rating	LC-PG25-SGD		
Structural Load P.S.F.	25.06		
Air at 50 MPH (cfm/ft ²)	0.11	0.12	0.13
Water (No Penetration) P.S.F.	4.0		
U-Value (ranges based on multiple Low-E/Argon combinations)	0.36-0.40		
SHGC (ranges based on multiple Low-E/Argon combinations)	0.14-0.50		

Operating Force:
(per ASTM E2068)

ModernVu Active-Fixed
22 N (5 lbf) - Initiate Motion
22 N (5 lbf) Maintain Motion
9 N (2 lbf) (locks)

M600 Active-Fixed
53 N (12 lbf) - Initiate Motion
58 N (13 lbf) Maintain Motion
18 N (4 lbf) (locks)

Our products are tested to the standards of and certified by some of the foremost organizations in the fenestration industry.



ARCHITECTURAL PAINT COATINGS AND FINISHES

◇ Baked on powder coat finish meets AAMA 2604 (an FGIA specification) and is available in unlimited colors

- Quaker Impressive Palette of Colors



- 7 Resemble Colors (painted finish resembling anodized)



- Unlimited Custom Colors

◇ AAMA 2605 (an FGIA specification) powder coat finishes (not available for all colors shown)

◇ SolarLE Paint Finish (available with Textured Black and Dark Espresso colors only)

◇ AAMA 611-98 Class I (an FGIA specification) clear and tinted anodized finishes

* Printed colors shown here may not accurately depict actual painted colors. Color samples are available upon request.

Our products are tested to the standards of and certified by some of the foremost organizations in the fenestration industry.

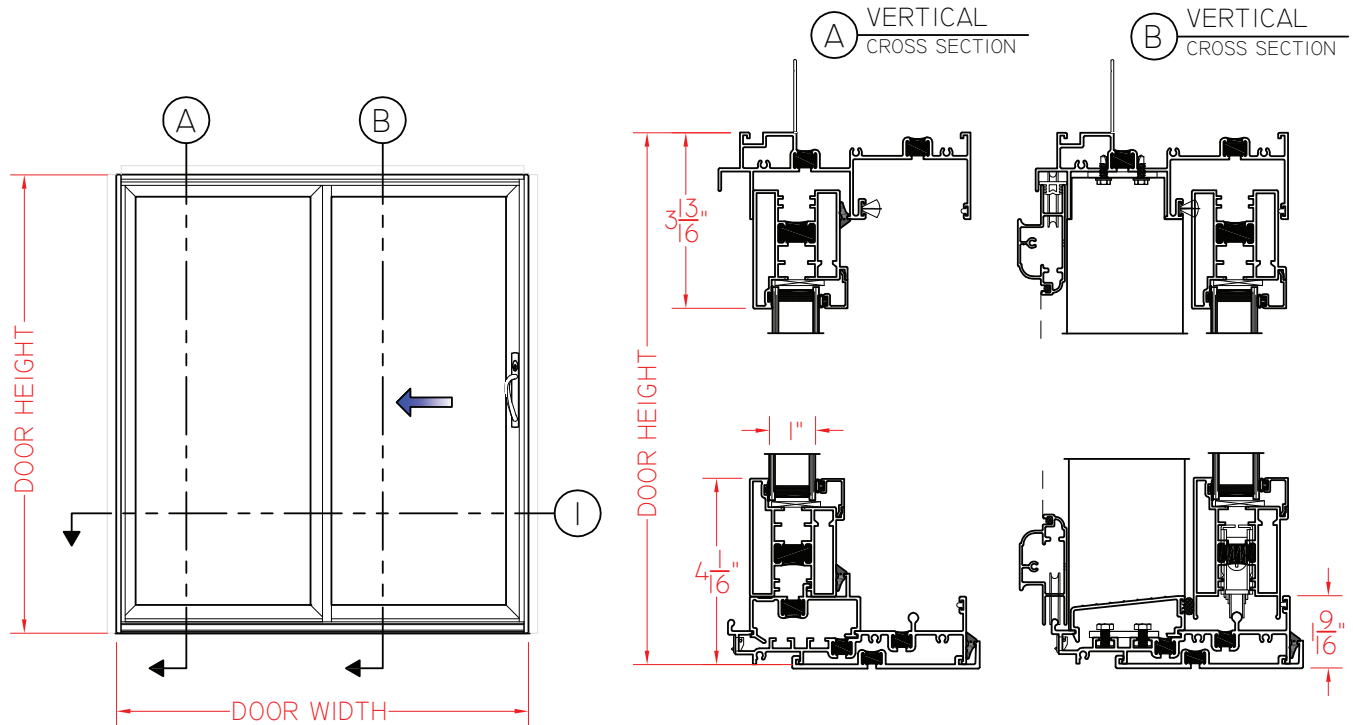
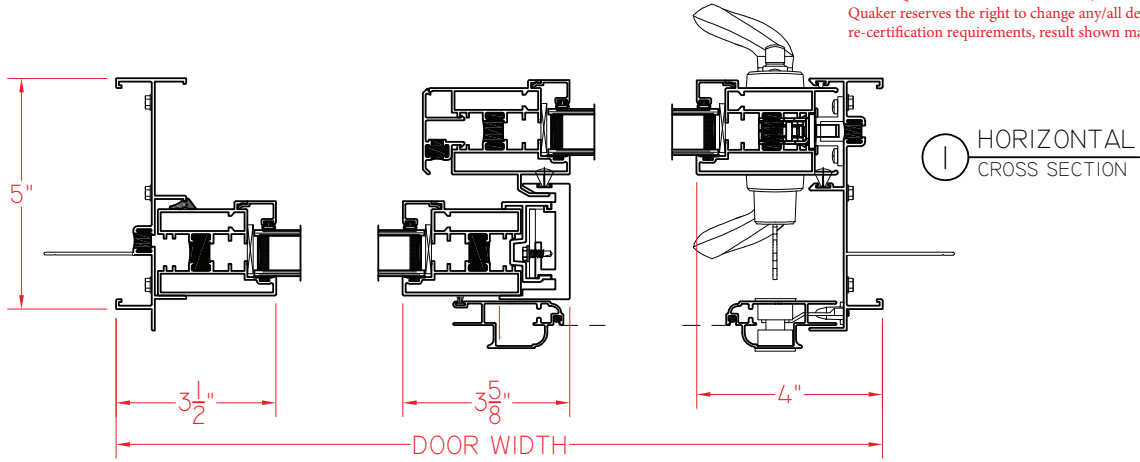




MODERNVU SERIES SLIDING DOOR (FIXED/ACTIVE)

AS VIEWED FROM EXTERIOR

This document contains confidential and proprietary information intended for the private use of Quaker.
© 2019 Quaker Window Products Co., INC. All rights reserved.
Quaker reserves the right to change any/all designs without notice. Due to periodic re-certification requirements, result shown may vary.



ELEVATION SCALE 3/8" = 1'-0"

Our products are tested to the standards of and certified by some of the foremost organizations in the fenestration industry.



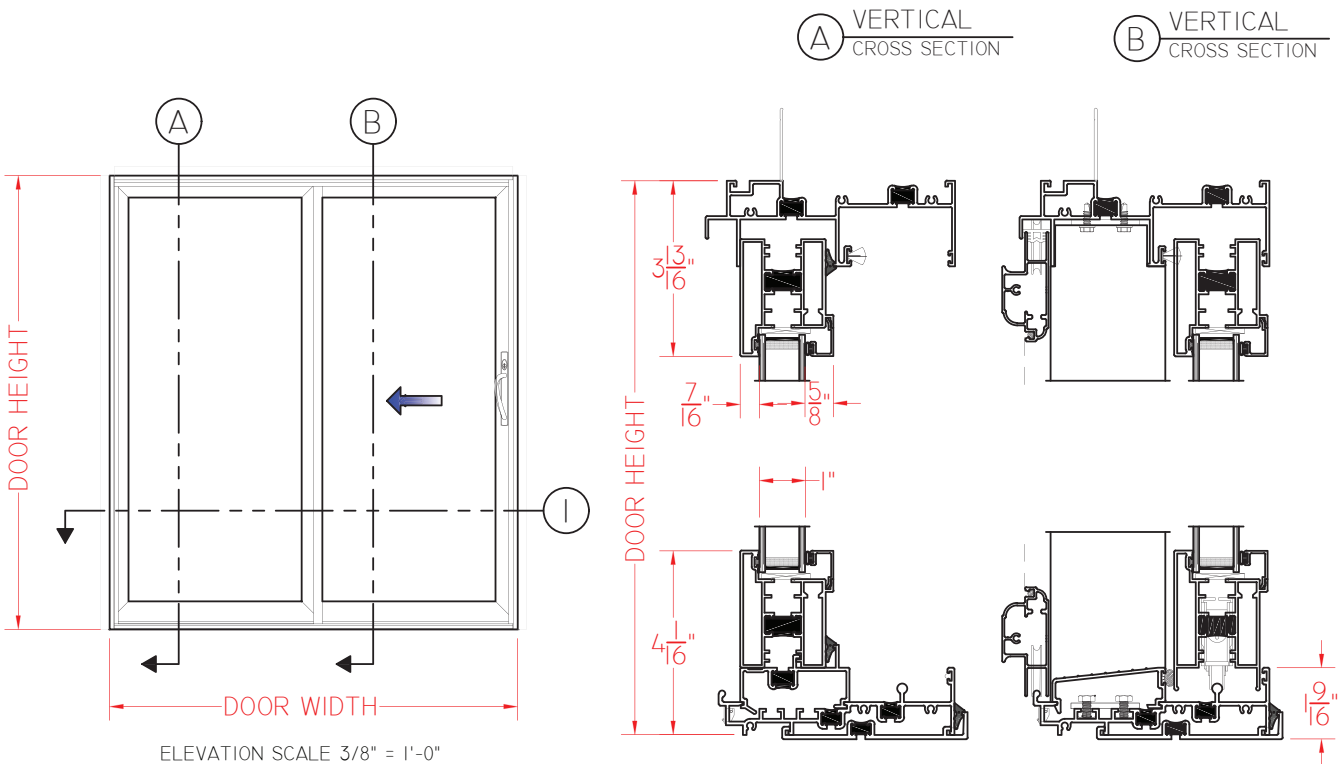
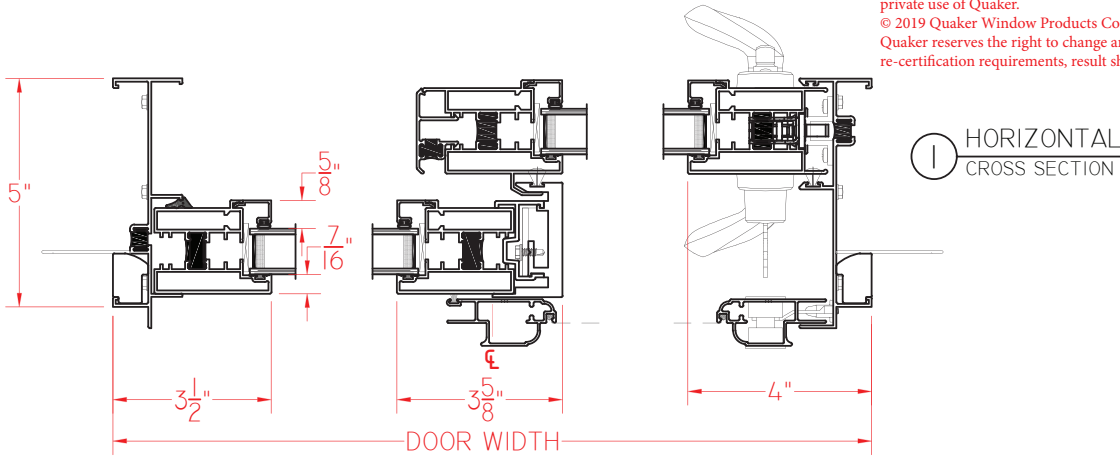


QUAKER
COMMERCIAL WINDOWS AND DOORS

**ModernVu
LC-25
5" Frame Depth
Sliding Door**

MODERNVU SERIES SLIDING DOOR WITH FIN (FIXED/ACTIVE)
AS VIEWED FROM EXTERIOR

This document contains confidential and proprietary information intended for the private use of Quaker.
© 2019 Quaker Window Products Co., INC. All rights reserved.
Quaker reserves the right to change any/all designs without notice. Due to periodic re-certification requirements, result shown may vary.



SCALE 1:4

Our products are tested to the standards of and certified by some of the foremost organizations in the fenestration industry.



QUAKER
COMMERCIAL WINDOWS AND DOORS