



ModernVu 4 1/2" Frame Depth Inswing Terrace Door

MODERNVU SERIES INSWING TERRACE DOOR

FEATURES

- ◇ Commercial Framing System
 - 4 1/2' main frame
 - Extruded wall thickness of 0.125" for all outside walls
 - Extruded wall thickness of 0.070" for all inside walls
 - 2 1/8" sill
- ◇ Thermally Enhanced Design
 - Heavy-duty corner keys internally sealed to eliminate sag
- ◇ Glazing
 - 1" tempered insulated glass
- ◇ Hardware
 - Adjustable hinges
 - 2-way adjustable hinge (optional 3-way available)
 - 5-point locking system for added security
 - Stylish handle sets add modern touch

OPTIONS

- ◇ Available Configurations
 - Single Panel or Double Panel
 - Inswing or Outswing
 - Matching transoms and sidelites
 - Standard or custom sizing
- ◇ Construction
 - Positioning fin
- ◇ Muntin Choices
 - Internal or simulated divided lites available
- ◇ Hardware
 - 10" bottom rail
 - 1/2" Low-Profile sill
 - Surface mounted closure
- ◇ Glazing
 - Multiple Low-E and argon glazing choices
 - Up to 1 3/8" thickness of I.G. available
 - Impact Glazing
 - Sound attenuation glazing packages for STC/OITC
- ◇ Panning & Trim Choices
 - Structural mullions
 - Wide variety of panning, receptor and trim available

BENEFITS

- ◇ The capacity to match exterior colors for unique project facades

PERFORMANCE

- ◇ Structural & Thermal (test reports or thermal simulations available upon request)

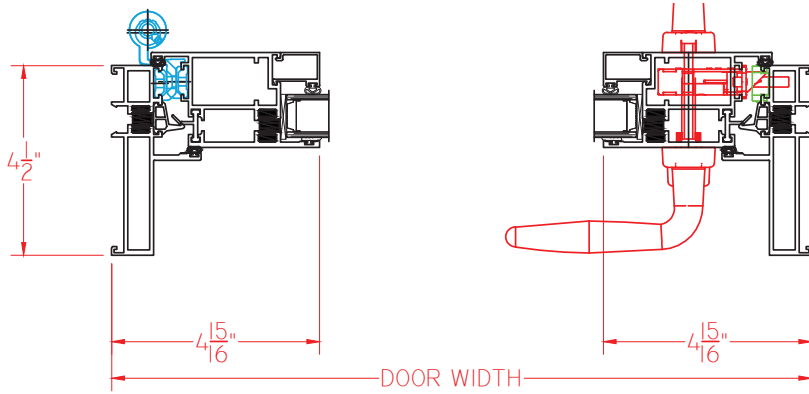
Model	ModernVu Inswing Terrace Door	
	Single Panel (standard sill)	Single Panel (low-profile)
Test Size	48" x 96"	36" x 84"
NAFS Rating	AW-PG50-ATD	LC-PG50-SHD
Structural Load P.S.F.	75.19	50.13
Air at 50 MPH (cfm/ft ²)	<0.10	<0.30
Water (No Penetration) P.S.F.	10.03	7.52
U-Value (ranges based on multiple Low-E/Argon combinations)	0.37-0.41	
SHGC (ranges based on multiple Low-E/Argon combinations)	0.13-0.43	

Our products are tested to the standards of and certified by some of the foremost organizations in the fenestration industry.

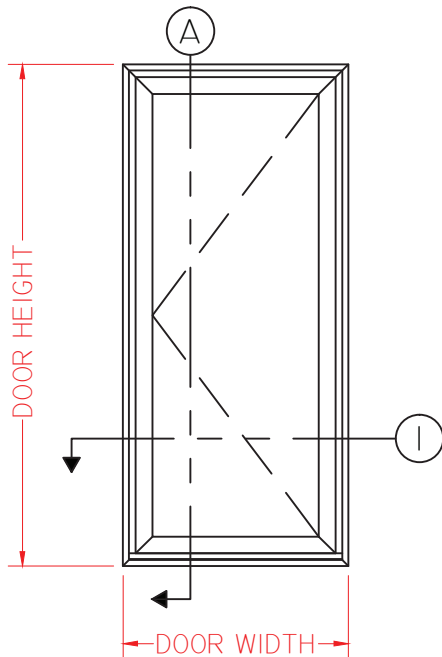


MODERNVU SERIES HINGED TERRACE DOOR - IN-SWING

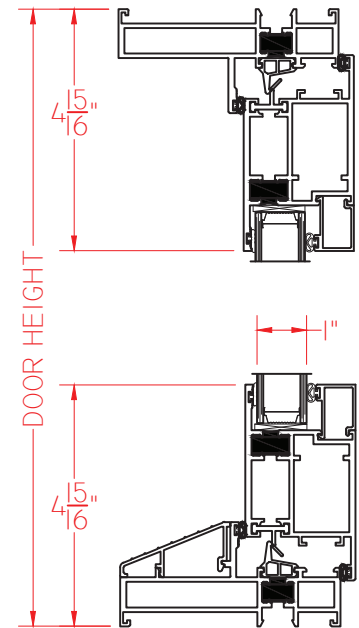
This document contains confidential and proprietary information intended for the private use of Quaker.
© 2018 Quaker Window Products Co., INC. All rights reserved.
Quaker reserves the right to change any/all designs without notice. Due to periodic re-certification requirements, result shown may vary.



① HORIZONTAL CROSS SECTION



Ⓐ VERTICAL CROSS SECTION



SCALE 1:4

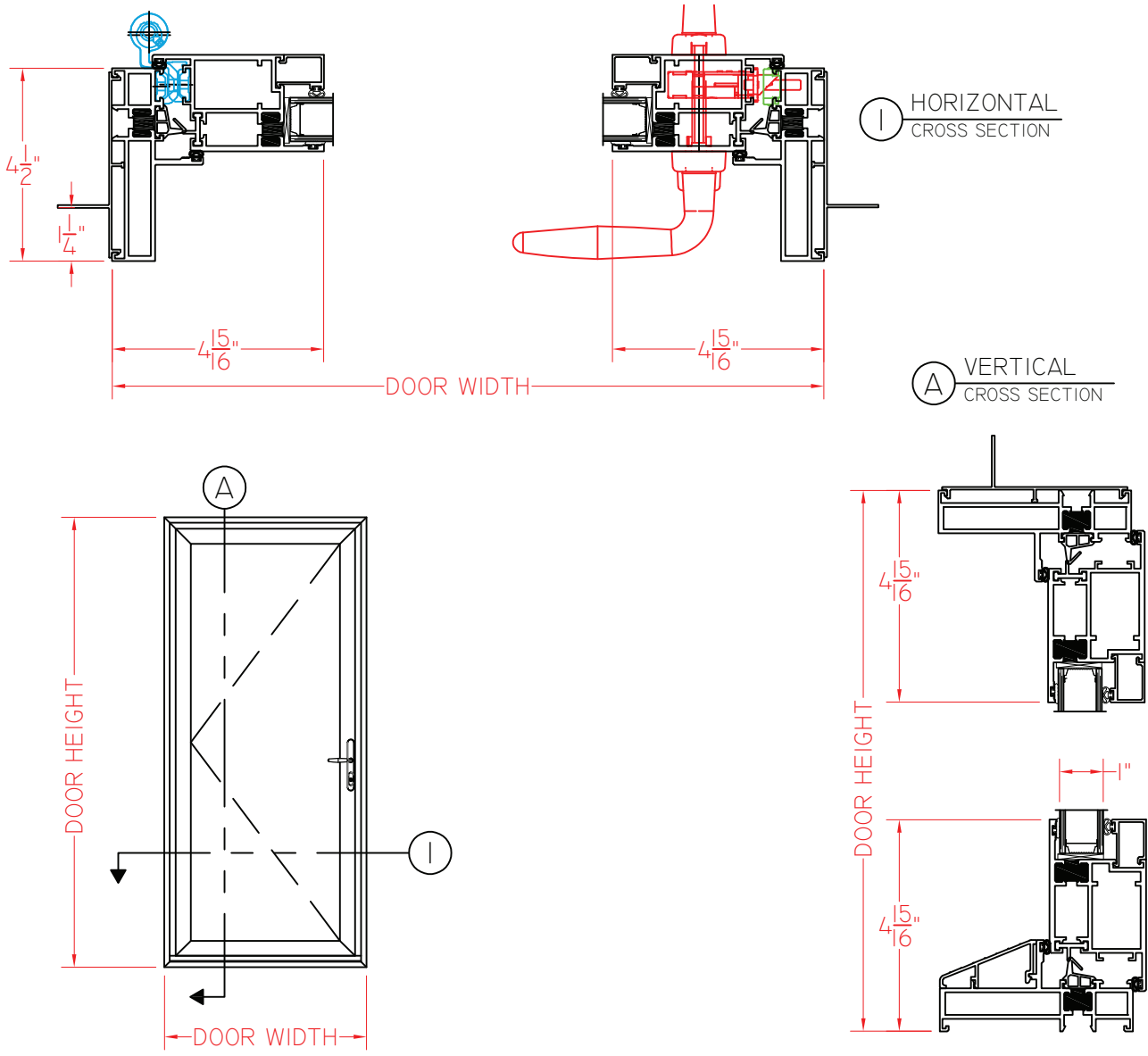
Our products are tested to the standards of and certified by some of the foremost organizations in the fenestration industry.



MODERNVU SERIES HINGED TERRACE DOOR - IN-SWING

Shown with Positioning Fin

This document contains confidential and proprietary information intended for the private use of Quaker.
© 2018 Quaker Window Products Co., INC. All rights reserved.
Quaker reserves the right to change any/all designs without notice. Due to periodic re-certification requirements, result shown may vary.



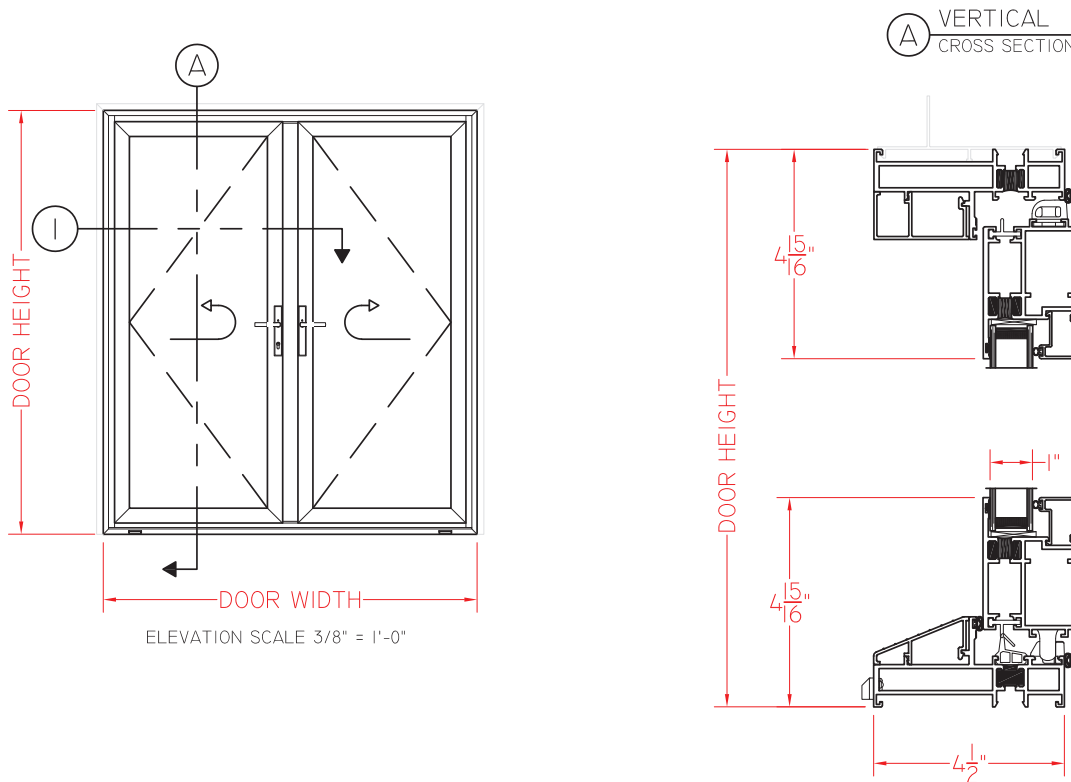
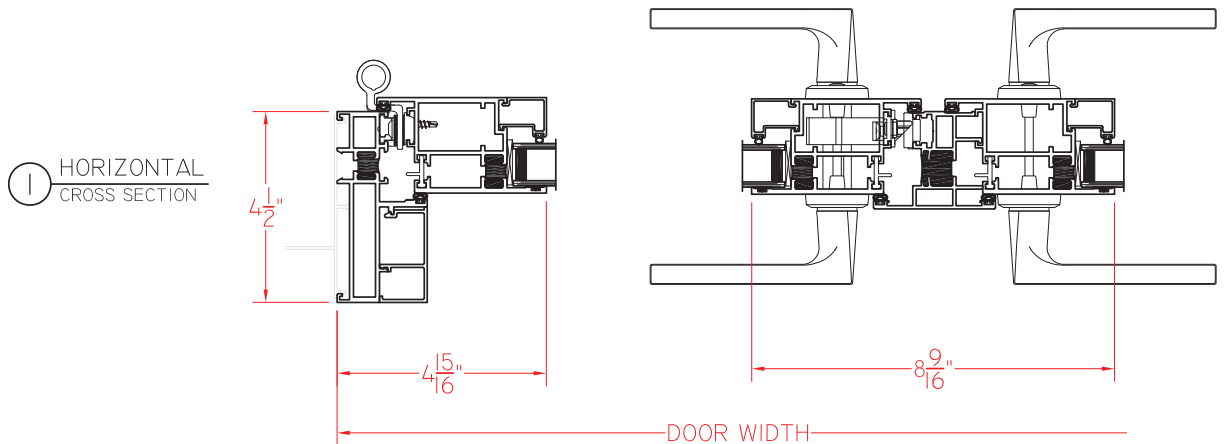
ELEVATION SCALE 3/8" = 1'-0"

Our products are tested to the standards of and certified by some of the foremost organizations in the fenestration industry.



MODERNVU SERIES HINGED TERRACE DOOR - FRENCH IN-SWING

This document contains confidential and proprietary information intended for the private use of Quaker.
© 2018 Quaker Window Products Co., INC. All rights reserved.
Quaker reserves the right to change any/all designs without notice. Due to periodic re-certification requirements, result shown may vary.



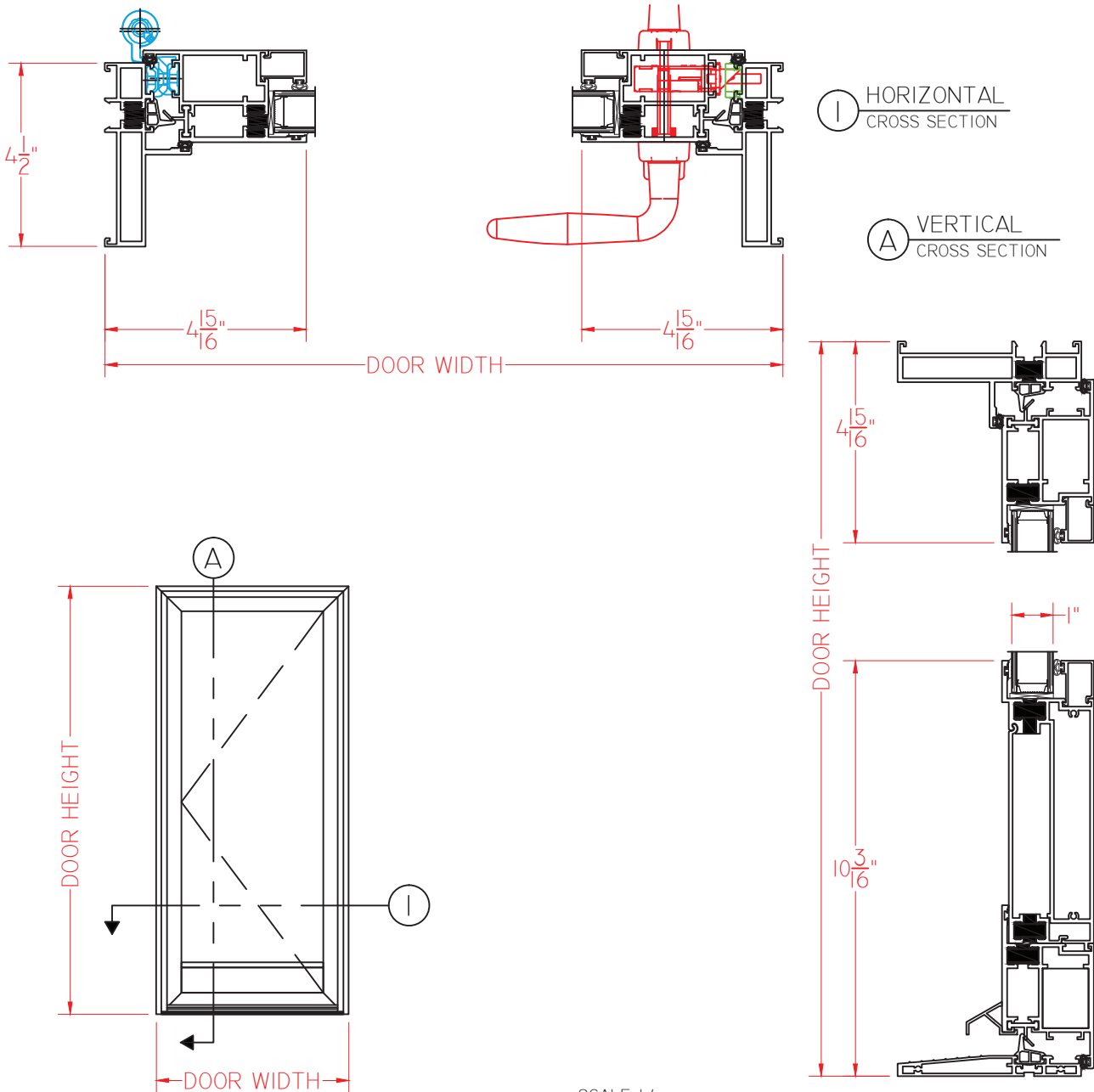
Our products are tested to the standards of and certified by some of the foremost organizations in the fenestration industry.



MODERNVU SERIES HINGED TERRACE DOOR - IN-SWING

Shown with 10" Bottom Rail and Low-Profile Sill

This document contains confidential and proprietary information intended for the private use of Quaker.
© 2018 Quaker Window Products Co., INC. All rights reserved.
Quaker reserves the right to change any/all designs without notice. Due to periodic re-certification requirements, result shown may vary.



SCALE 1:4

ELEVATION SCALE 3/8" = 1'-0"

Our products are tested to the standards of and certified by some of the foremost organizations in the fenestration industry.

