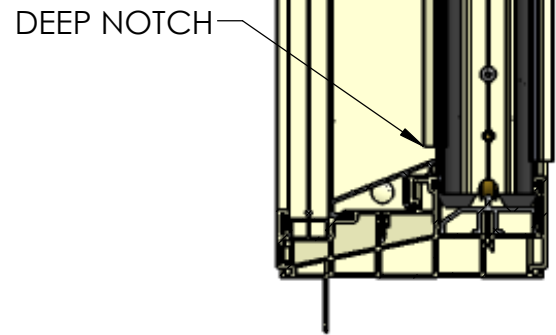
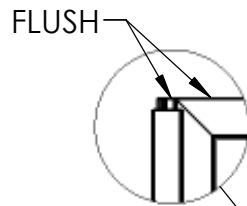
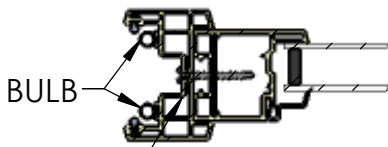
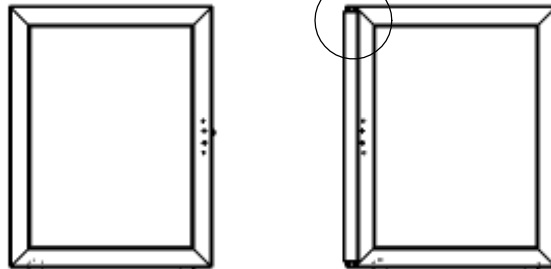


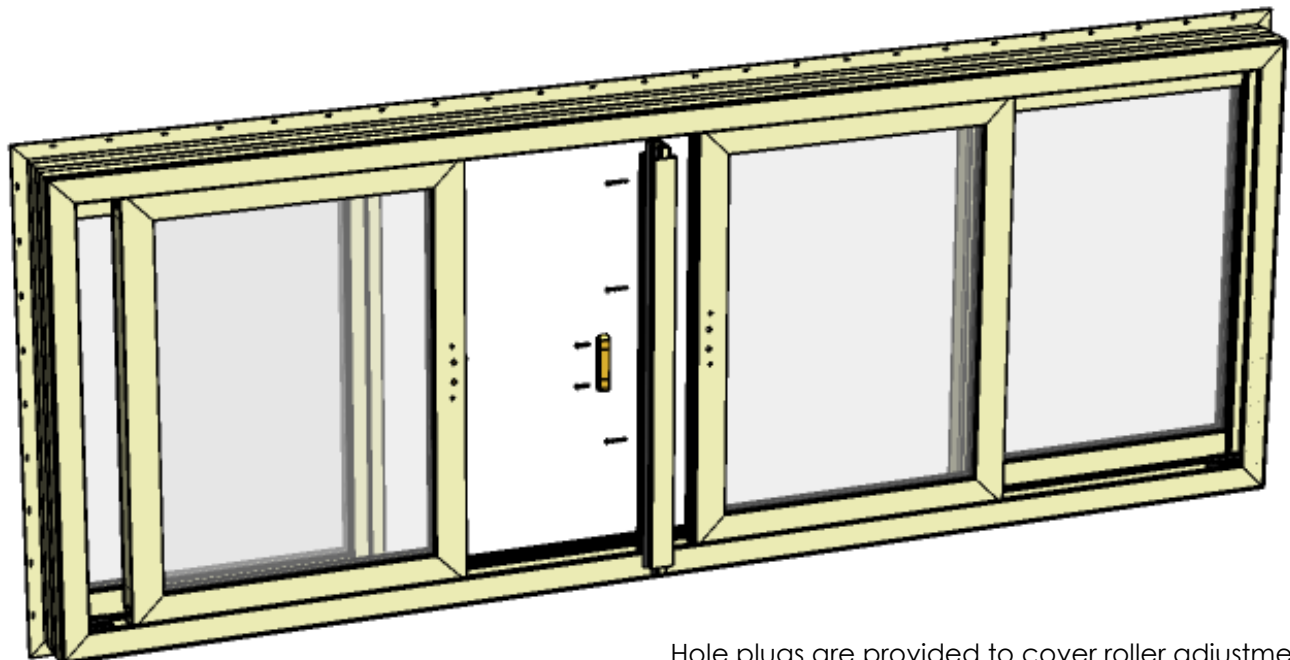
Orientate astragal with **bulb** seals facing outward with **deep notch** toward exterior to clear threshold. Position on lock rail of secondary panel (without latch) **flush** with top and bottom of panel.



Predrill mounting holes through astragal at 2 1/2" from each end and approximately 12" on-center. Avoid placing mounting fasteners near handle location as this will interfere with latch keeper.



PSP8-18X11/4TK4
(7 pieces)



Hole plugs are provided to cover roller adjustment holes once installation and adjustment is complete.