



MODERNVU SERIES OUTSWING TERRACE DOOR WITH LOW-PROFILE SILL

The ModernVu Series Outswing Terrace door is ideal for a variety of applications including - Single-Family Residential, Multi-Family, Apartments and Assisted Living.

FEATURES

- ◇ Commercial Framing System
 - 4 1/2' main frame
 - Extruded wall thickness of 0.125" for all outside walls
 - Extruded wall thickness of 0.070" for all inside walls
 - 1/2" sill
 - 10" bottom rail
- ◇ Thermally Enhanced Design
 - Heavy-duty corner keys internally sealed to eliminate sag
- ◇ Glazing
 - Glazing pocket can accommodate up from 1/4" single glaze to 1" insulated glass
- ◇ Hardware
 - Adjustable hinges
 - 2-way adjustable hinge (optional 3-way available)
 - 5-point locking system for added security
 - Stylish handle sets add modern touch

OPTIONS

- ◇ Available Configurations
 - Single Panel or Double Panel
 - Inswing or Outswing
 - Matching transoms and sidelites
 - Standard or custom sizing
- ◇ Construction
 - Positioning fin
- ◇ Muntin Choices
 - Internal or simulated divided lites available
- ◇ Hardware
 - Surface mounted closure
- ◇ Glazing
 - Up to 1 3/8" thickness of I.G. available
 - Variety of Energy-Efficient glass packages
 - Impact Glazing
 - Sound attenuation glazing packages for STC/OITC
- ◇ Panning & Trim Choices
 - Structural mullions
 - Wide variety of panning, receptor and trim available

BENEFITS

- ◇ The capacity to match exterior colors for unique project facades

PERFORMANCE

- ◇ Structural & Thermal (test reports or thermal simulations available upon request)

Model	ModernVu Low-Profile Outswing Terrace Door	
	Single Panel	Dual Panel
Test Size	48" x 96"	
NAFS Rating	AW-PG50-ATD	
Structural Load P.S.F.	75.19	
Air at 50 MPH (cfm/ft ²)	0.04	
Water (No Penetration) P.S.F.	10.03	
U-Value (ranges based on multiple Low-E/Argon combinations)	0.37-0.41	
SHGC (ranges based on multiple Low-E/Argon combinations)	0.13-0.43	



ARCHITECTURAL PAINT COATINGS AND FINISHES

◇ Baked on powder coat finish meets AAMA 2604 (an FGIA specification) and is available in unlimited colors

- Quaker Impressive Palette of Colors



- 7 Resemble Colors (painted finish resembling anodized)



- Unlimited Custom Colors

◇ AAMA 2605 (an FGIA specification) powder coat finishes (not available for all colors shown)

◇ SolarLE Paint Finish (available with Textured Black and Dark Espresso colors only)

◇ AAMA 611-98 Class I (an FGIA specification) clear and tinted anodized finishes

* Printed colors shown here may not accurately depict actual painted colors. Color samples are available upon request.

Our products are tested to the standards of and certified by some of the foremost organizations in the fenestration industry.



QUAKER
COMMERCIAL WINDOWS AND DOORS

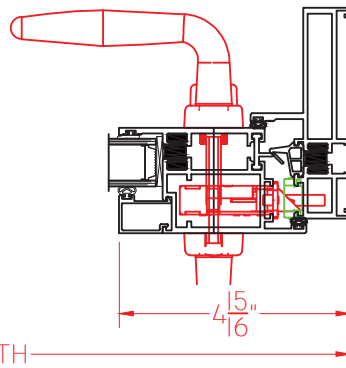
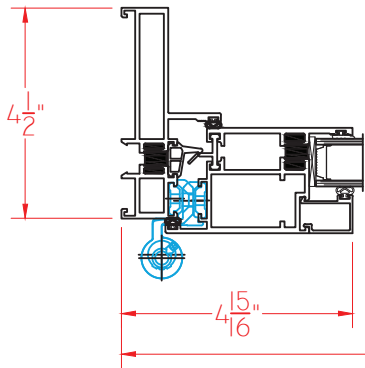


QUAKER
COMMERCIAL WINDOWS AND DOORS

ModernVu
4 1/2" Frame Depth
Outswing Terrace Door w/Low-Profile Sill

MODERNVU SERIES OUTSWING TERRACE DOOR WITH LOW-PROFILE SILL

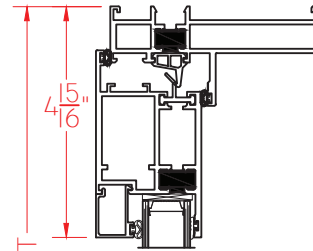
This document contains confidential and proprietary information intended for the private use of Quaker. © 2018 Quaker Window Products Co., INC. All rights reserved. Quaker reserves the right to change any/all designs without notice. Due to periodic re-certification requirements, result shown may vary.



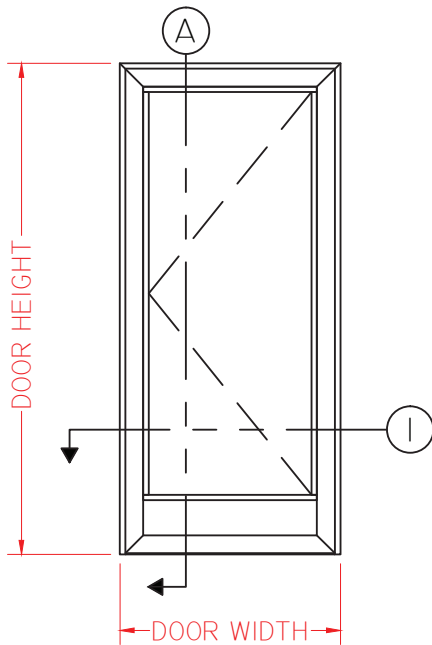
① HORIZONTAL CROSS SECTION

Ⓐ VERTICAL CROSS SECTION

DOOR WIDTH

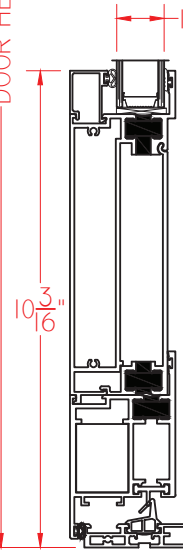


DOOR HEIGHT



DOOR HEIGHT

DOOR WIDTH



DOOR HEIGHT

Our products are tested to the standards of and certified by some of the foremost organizations in the fenestration industry.



QUAKER
COMMERCIAL WINDOWS AND DOORS

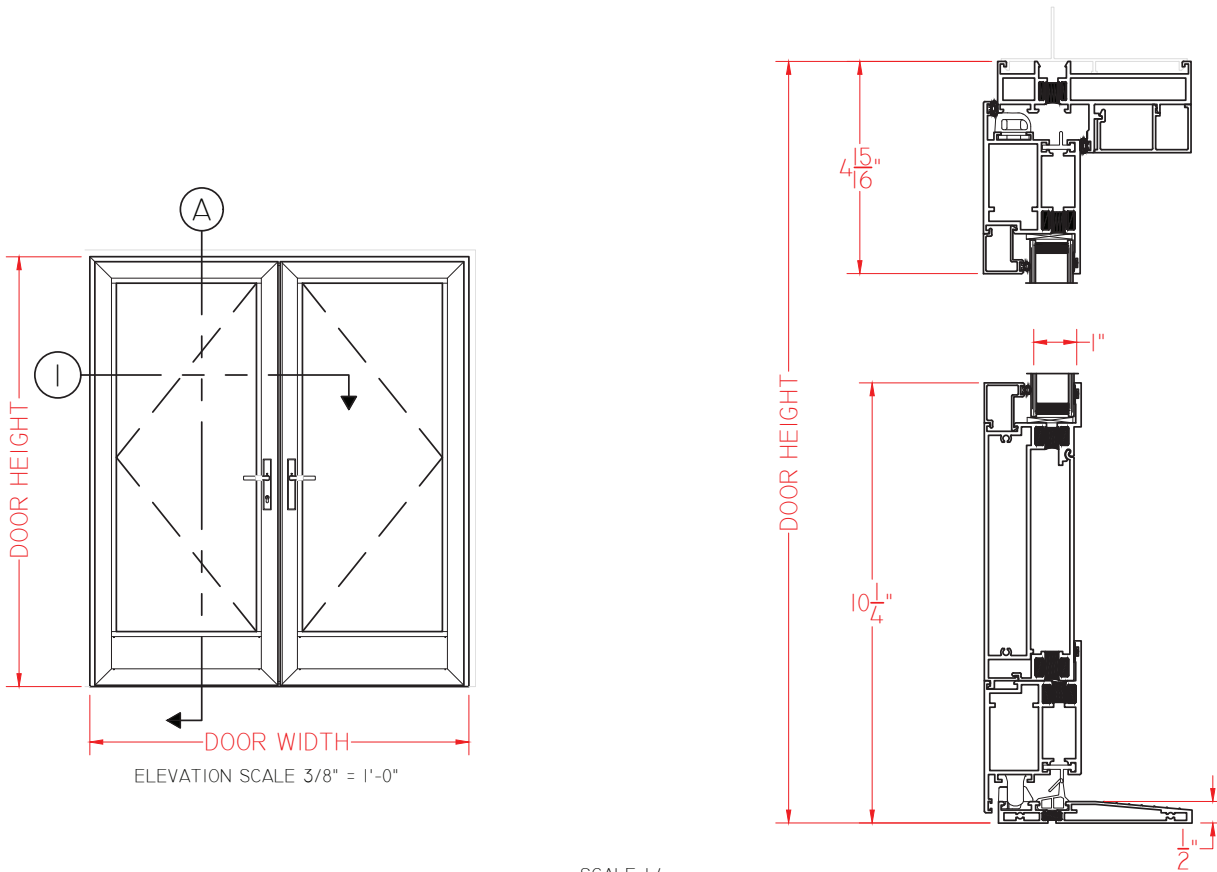
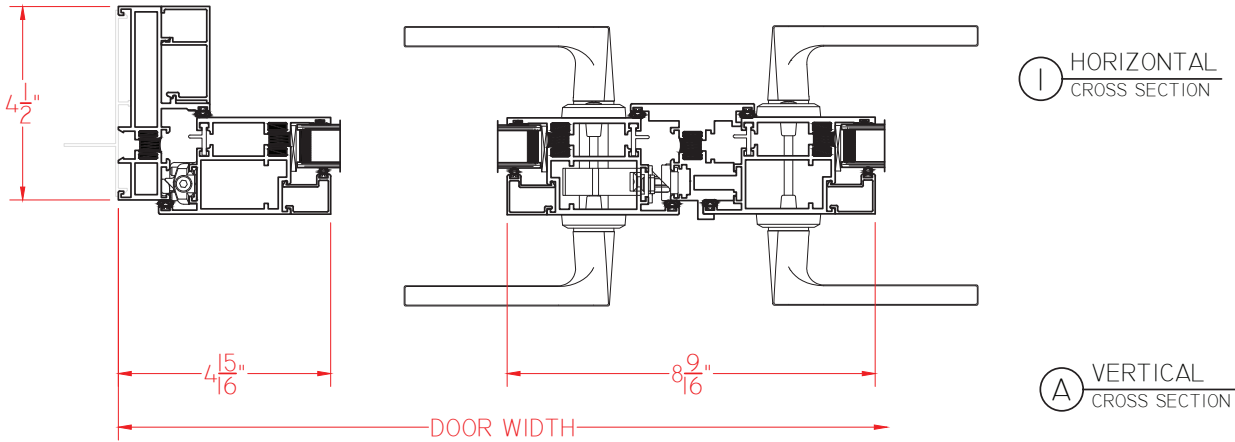


QUAKER
COMMERCIAL WINDOWS AND DOORS

ModernVu
4 1/2" Frame Depth
Outswing Terrace Door w/Low-Profile Sill

MODERNVU SERIES OUTSWING FRENCH TERRACE DOOR WITH LOW-PROFILE SILL

This document contains confidential and proprietary information intended for the private use of Quaker.
© 2018 Quaker Window Products Co., INC. All rights reserved.
Quaker reserves the right to change any/all designs without notice. Due to periodic re-certification requirements, result shown may vary.



SCALE 1:4

Our products are tested to the standards of and certified by some of the foremost organizations in the fenestration industry.



QUAKER
COMMERCIAL WINDOWS AND DOORS



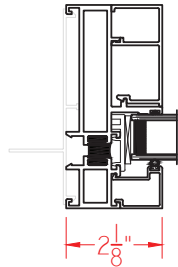
QUAKER
COMMERCIAL WINDOWS AND DOORS

**ModernVu
4 1/2" Frame Depth
Outswing Terrace Door w/Low-Profile Sill**

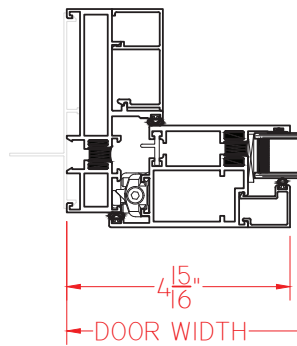
MODERNVU SERIES OUTSWING FRENCH TERRACE DOOR WITH LOW-PROFILE SILL AND TRANSOM

This document contains confidential and proprietary information intended for the private use of Quaker.
© 2018 Quaker Window Products Co., INC. All rights reserved.
Quaker reserves the right to change any/all designs without notice. Due to periodic re-certification requirements, result shown may vary.

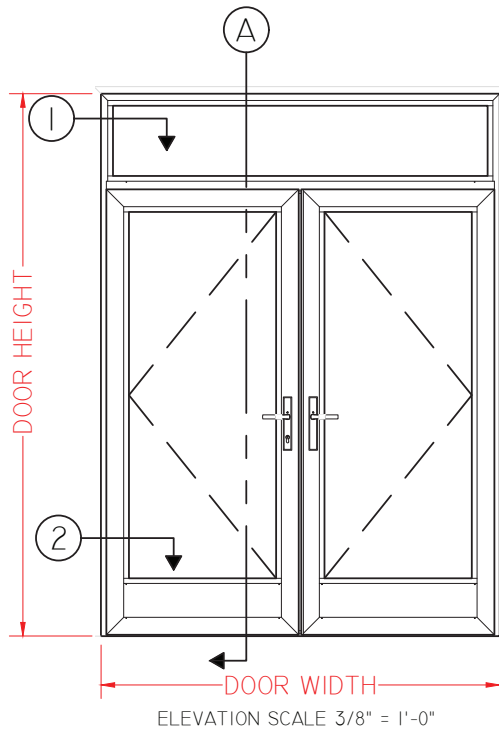
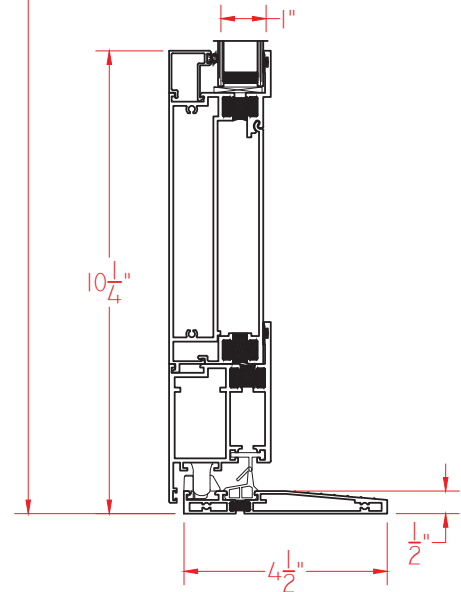
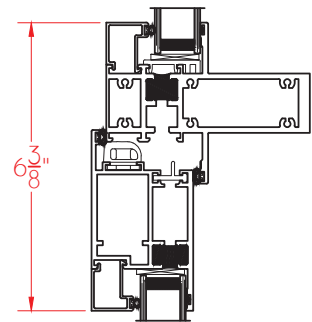
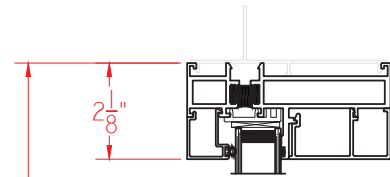
① HORIZONTAL CROSS SECTION



② HORIZONTAL CROSS SECTION



Ⓐ VERTICAL CROSS SECTION



SCALE 1:4

Our products are tested to the standards of and certified by some of the foremost organizations in the fenestration industry.



QUAKER
COMMERCIAL WINDOWS AND DOORS