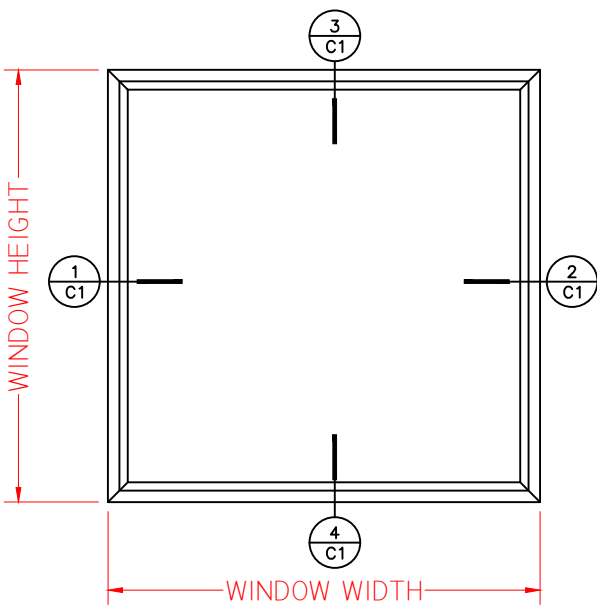
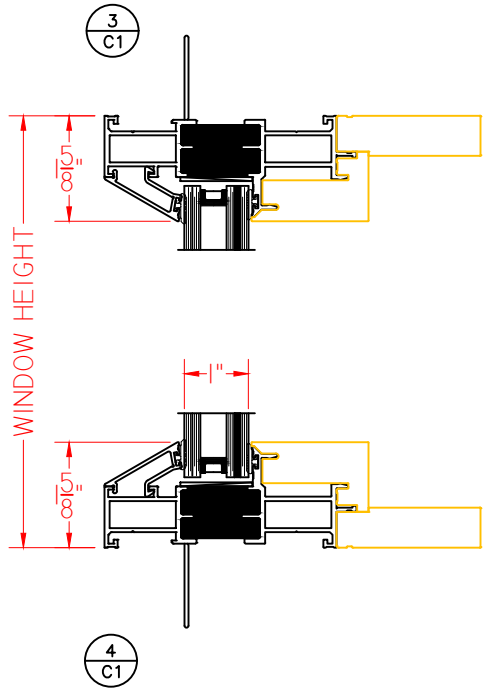
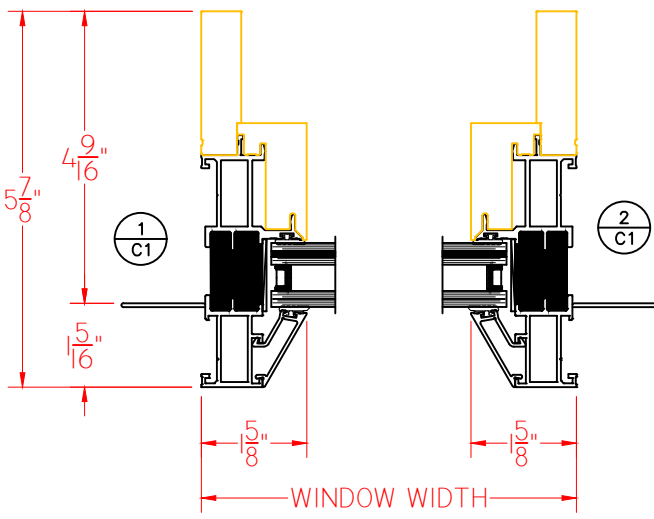
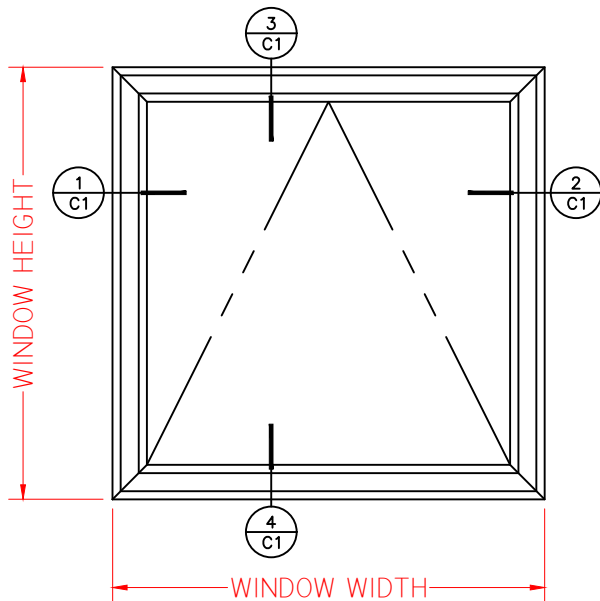
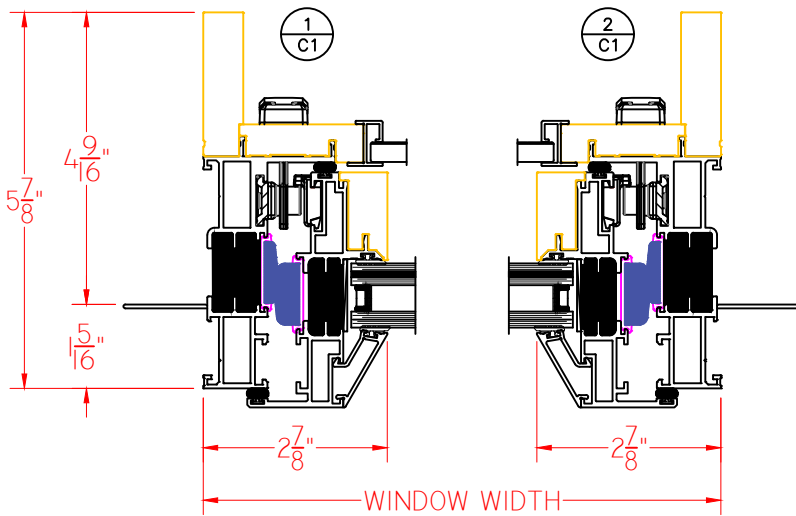


TimberVu FIXED

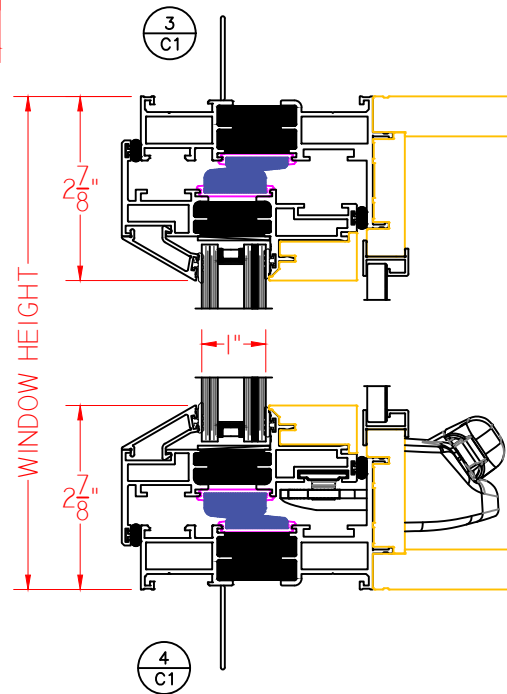


ELEVATION SCALE 3/4" = 1'-0"

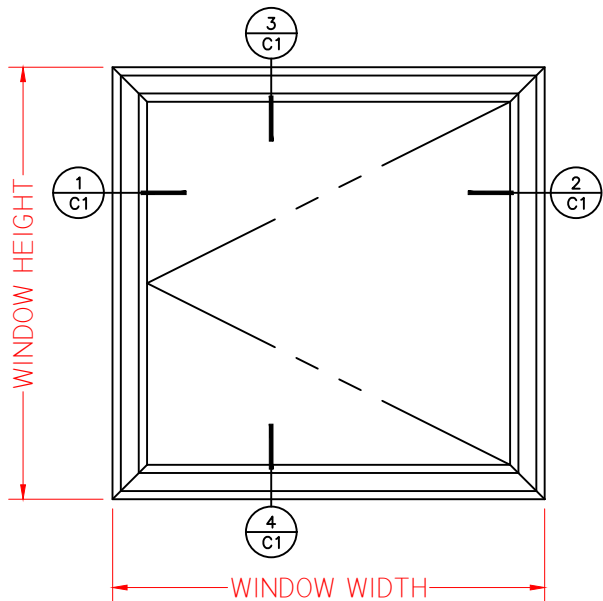
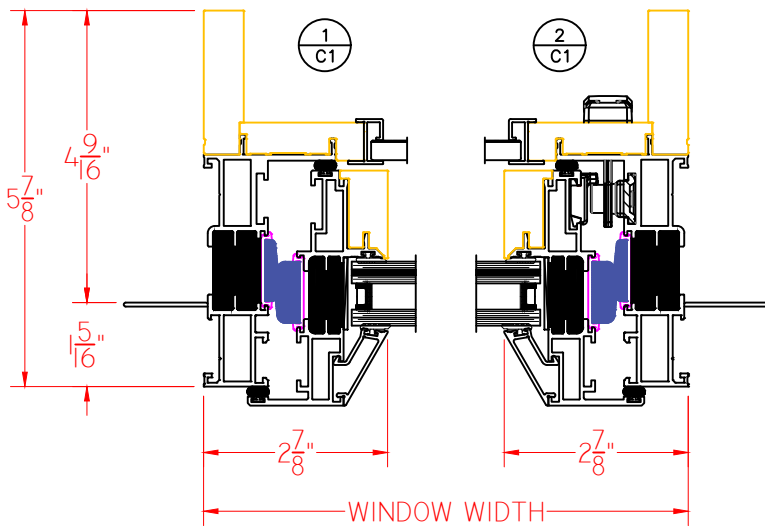
TimberVu AWNING



ELEVATION SCALE 3/4" = 1'-0"



TimberVu CASEMENT



ELEVATION SCALE 3/4" = 1'-0"

