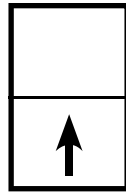
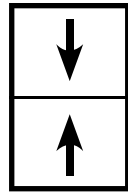




**QUAKER**  
COMMERCIAL WINDOWS AND DOORS



**Brighton Series**  
**R-50**  
**6" Frame Depth**  
**Double Hung/Single Hung**

## BRIGHTON SERIES DOUBLE HUNG/SINGLE HUNG

The Quaker Brighton Series Double Hung/Single Hung window is ideal for a variety of applications including - Energy Efficient, Apartments, Assisted Living and Housing Authority.

### FEATURES

- ◇ Commercial Framing System
  - 6" main frame
- ◇ Enhanced Design
  - Extruded clad exterior, pine interior
- ◇ Glazing
  - ¾" insulated glass
- ◇ Hardware
  - Two block and tackle balancers and vinyl step jamb liners
  - Self-aligning cam-type locks
- ◇ Screen
  - Extruded aluminum screen frame with BetterVue™ mesh

### OPTIONS

- ◇ Available Configurations
  - Double Hung
  - Single Hung
  - Bay or bow unit
- ◇ Muntin Choices
  - Internal, wood removable or simulated divided lites available
- ◇ Limited travel hardware
- ◇ Nailing Fin
- ◇ Screen
  - Extruded aluminum screen frame with aluminum wire mesh
  - Extruded aluminum screen frame with sunscreen mesh
  - Extruded aluminum screen frame with stainless steel 0.009" thickness mesh
- ◇ Glazing
  - Capillary tubes
  - Argon gas
  - Wide variety of glazing, tinting and thickness options
- ◇ Panning & Trim Choices
  - Wide variety of panning, receptor and trim available
- ◇ Mulling
  - Wide variety of structural mulls

### BENEFITS

- ◇ The capacity to match exterior colors for unique project facades
- ◇ The ability to facilitate large sizes for taller and wider window openings

### PERFORMANCE

- ◇ Structural & Thermal (test reports or thermal simulations available upon request)

Model	Double Hung/Single Hung
AAMA/WDMA/CSA 101/IS.2/A440-08 Rating	R-50
Structural Load P.S.F.	75.19
Air at 50 MPH (cfm/ft <sup>2</sup> )	0.04
Water (No Penetration) P.S.F.	7.52
U-Value (with Low-E and Argon)	0.28-0.32
SHGC (with Low-E and Argon)	0.12-0.29

Window test size: 36" × 84"  
Operating Force: 22 lbf (maintain motion), 3 lbf (locks)



Our products are tested to the standards of and certified by the American Architectural Manufacturer's Association, the National Fenestration Rating Council and the Window & Door Manufacturers Association.

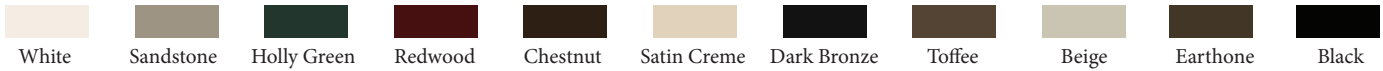


**QUAKER**  
COMMERCIAL WINDOWS AND DOORS

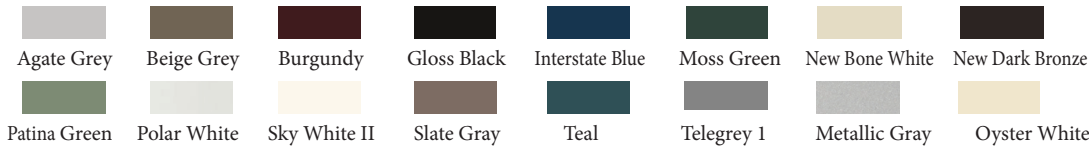
# ARCHITECTURAL PAINT COATINGS AND FINISHES

◇ Baked on powder coat finish meets ANSA/AAMA 2604 specs and is available in unlimited colors

- 11 Popular Colors



- 16 Impressive Colors



- 7 Resemble Colors (painted finish resembling anodized)



- Unlimited Custom Colors

\* Printed colors shown here may not accurately depict actual painted colors. Color samples are available upon request.

◇ ANSA/AAMA 2605 powder coat finishes

◇ AAMA 611-98 Class I clear and tinted anodized finishes

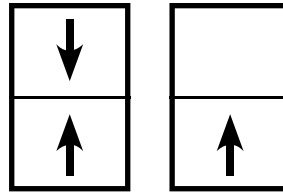
Our products are tested to the standards of and certified by the American Architectural Manufacturer's Association, the National Fenestration Rating Council and the Window & Door Manufacturers Association.



**QUAKER**  
COMMERCIAL WINDOWS AND DOORS



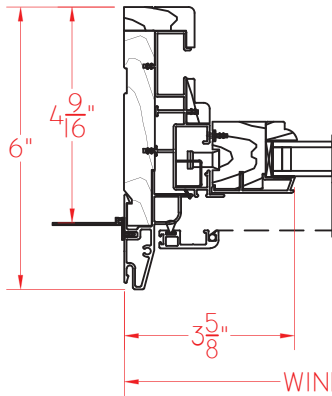
**QUAKER**  
COMMERCIAL WINDOWS AND DOORS



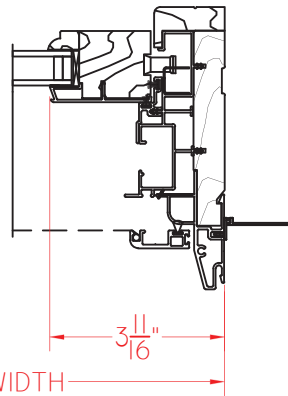
**Brighton Series**  
**R-50**  
**6" Frame Depth**  
**Double Hung/Single Hung**

# BRIGHTON DH/SH

② HORIZONTAL CROSS SECTION

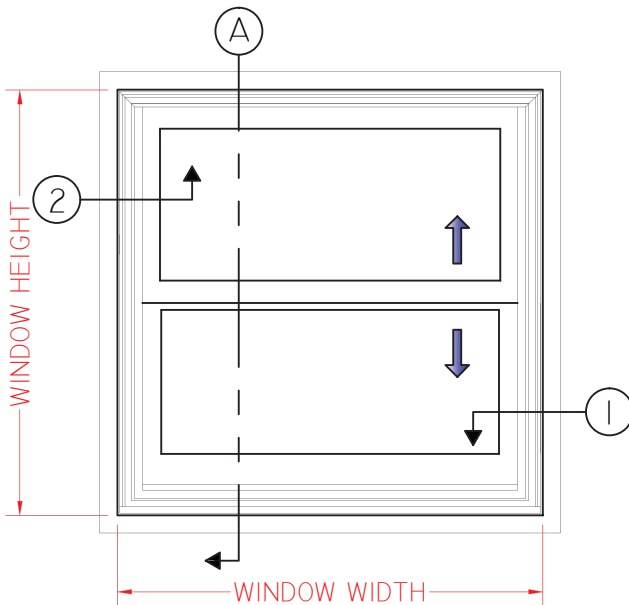
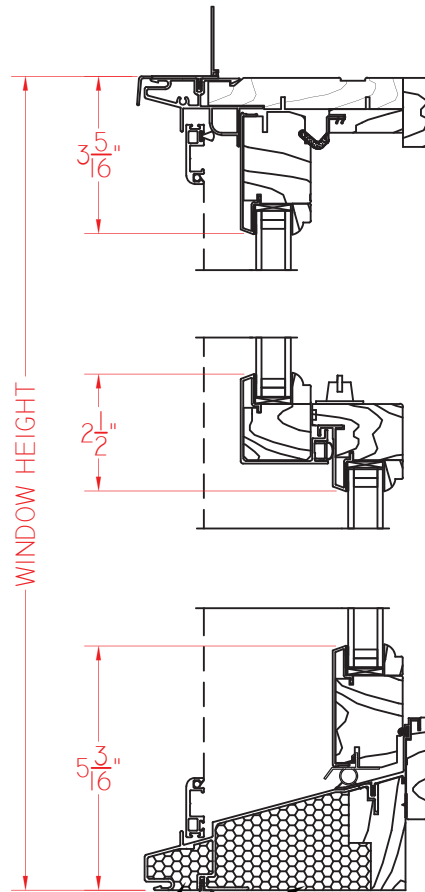


① HORIZONTAL CROSS SECTION



This document contains confidential and proprietary information intended for the private use of Quaker.  
© 2016 Quaker Window Products Co., INC. All rights reserved.  
Quaker reserves the right to change any/all designs without notice.  
Due to periodic re-certification requirements, result shown may vary.

Ⓐ VERTICAL CROSS SECTION



ELEVATION SCALE 3/4" = 1'-0"

INSTALLER TO FILL CAVITY WITH FIBERGLASS INSULATION BEFORE SETTING WINDOW

BRIGHTON DOUBLE HUNG 12-29-2015 VERSION 3.0

SCALE 1:4

Our products are tested to the standards of and certified by the American Architectural Manufacturer's Association, the National Fenestration Rating Council and the Window & Door Manufacturers Association.



**QUAKER**  
COMMERCIAL WINDOWS AND DOORS