



# Brighton 5 15/16" Frame Depth Hinged Door (Inswing)

## BRIGHTON SERIES HINGED DOOR (INSWING)

### FEATURES

- ◇ Framing System
  - 5 15/16' main frame
- ◇ Enhanced Design
  - Solid extruded aluminum clad exterior framing: 0.078" metal thickness
  - Radiatta pine interior
  - 8 1/2" bottom rail height
  - Bronze anodized aluminum sill
  - Adjustable nailing fin to fit frame depths ranging from 4 9/16" to 5 5/16"
- ◇ Glazing
  - 3/4" insulating glass with warm-edge spacer
  - Low-E with argon gas
- ◇ Hardware
  - 3 Heavy-duty, adjustable hinges
  - Multi-point hardware
  - Handle sets offer multiple styles and finishes
- ◇ Screen
  - Extruded aluminum screen frame with BetterVue™ mesh with WaterShed® technology

### OPTIONS

- ◇ Available Configurations
  - Single Panel Active
  - Fixed-Active, Active-Fixed or Fixed-Fixed
  - Inactive-Active or Active-Inactive (French)
  - Active-Fixed-Fixed, Fixed-Active-Fixed, Fixed-Fixed-Active or Fixed-Fixed-Fixed
  - Sidelites
  - Transoms
- ◇ Muntin Choices
  - Internal, wood removable or simulated divided lites available
- ◇ Panels
  - 1/4 or 1/2 Panel with 0, 1 or 2 simulated raised plots
  - 10" bottom rail height
- ◇ Sill
  - ADA option
  - Mill finish
- ◇ Screen
  - Extruded aluminum screen frame w/alum. wire mesh
  - Extruded aluminum screen frame with sunscreen mesh
  - Extruded aluminum screen frame with stainless steel 0.009" thickness mesh
  - Multiple retractable screen systems
- ◇ Glazing
  - Multiple Low-E and argon glazing choices
  - Capillary tubes
  - Wide variety of glazing, tinting and thickness options
- ◇ Panning & Trim Choices
  - Wide variety of trim available
- ◇ Mulling
  - Wide variety of structural mulls

### BENEFITS

- ◇ The capacity to match exterior colors for unique project facades
- ◇ The capacity to match interior colors for unique decor
- ◇ The ability to facilitate custom sizes for taller and wider door openings

### PERFORMANCE

- ◇ Structural & Thermal (test reports or thermal simulations available upon request)

Model	Brighton Hinged Inswing Door
NAFS Rating	R-40, LC-50
Structural Load P.S.F.	75.19
Air Infiltration	<0.30
Water (No Penetration) P.S.F.	7.52
U-Value (ranges based on multiple Low-E/Argon combinations)	0.28-0.31
SHGC (ranges based on multiple Low-E/Argon combinations)	0.10-0.24
Test size	72" x 95"

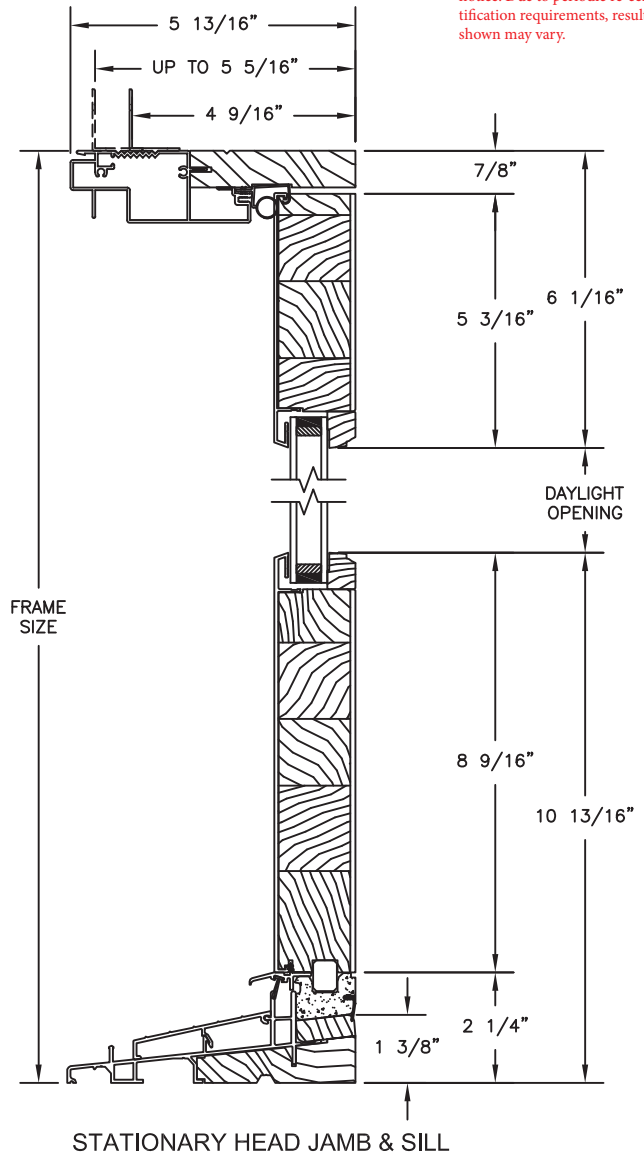
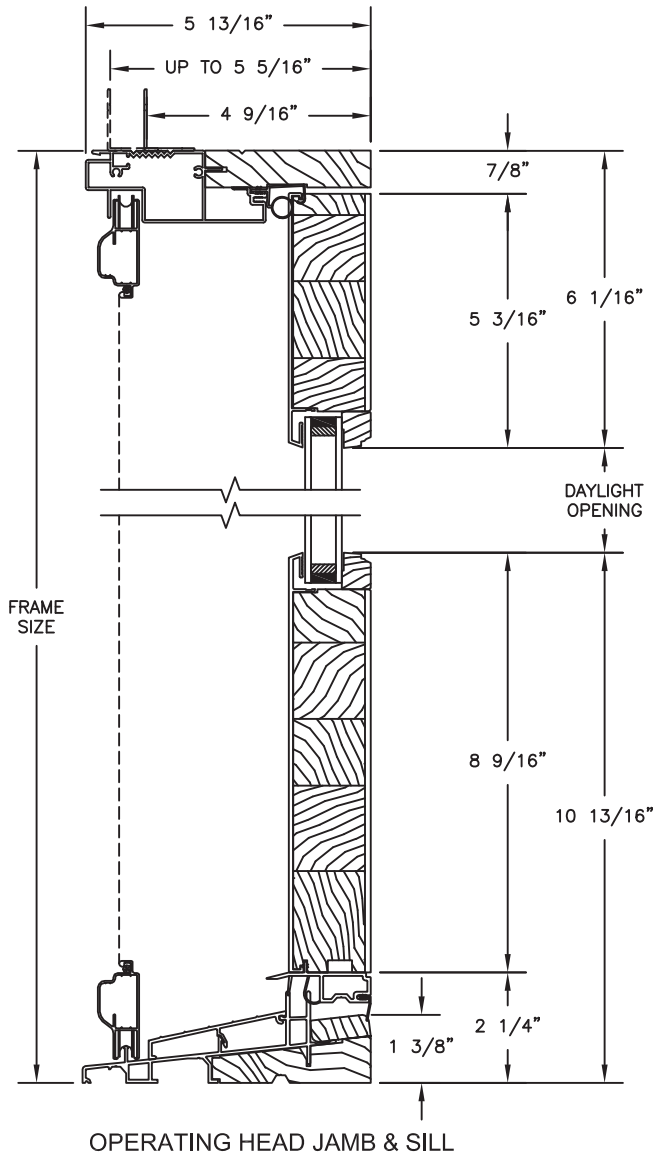
Our products are tested to the standards of and certified by some of the foremost organizations in the fenestration industry.



**BRIGHTON SERIES HINGED DOOR (INSWING)**

This document contains confidential and proprietary information intended for the private use of Quaker.  
© 2018 Quaker Window Products Co., INC. All rights reserved.  
Quaker reserves the right to change any/all designs without notice. Due to periodic re-certification requirements, result shown may vary.

SCALE: 3" = 1'-0"

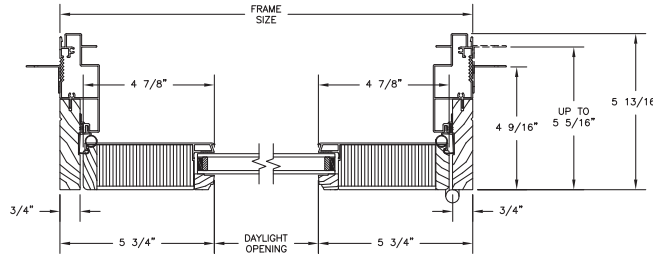


Our products are tested to the standards of and certified by some of the foremost organizations in the fenestration industry.

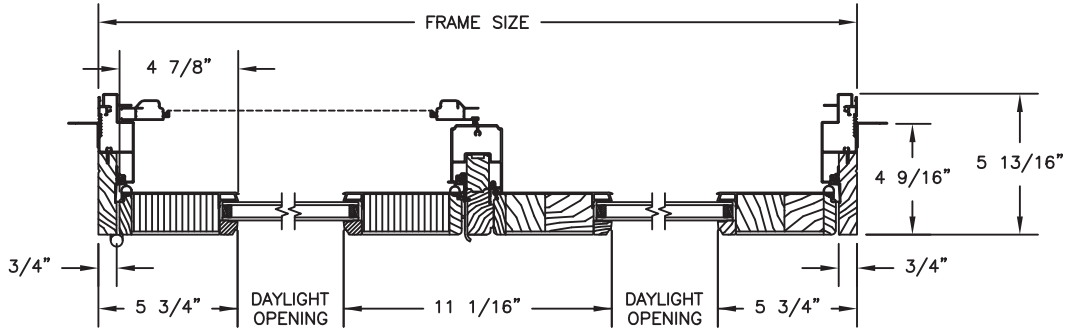


**BRIGHTON SERIES HINGED DOOR (INSWING)**

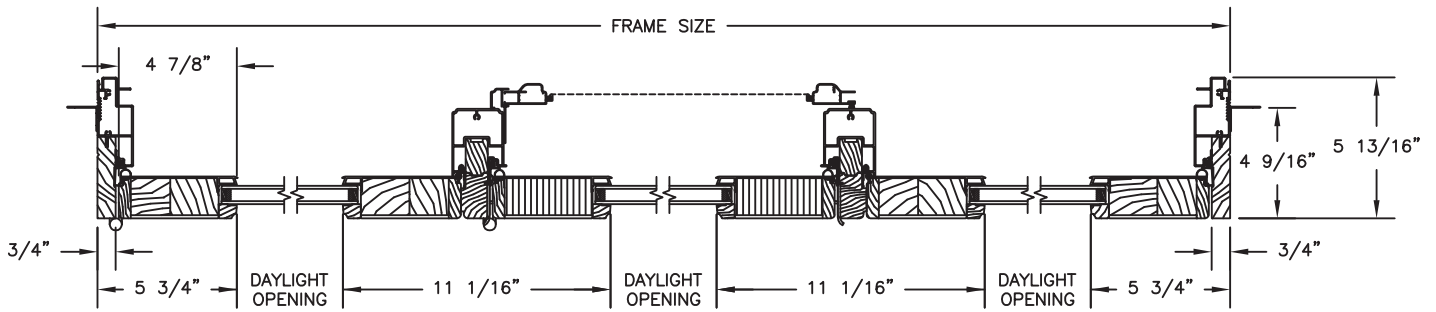
This document contains confidential and proprietary information intended for the private use of Quaker.  
© 2018 Quaker Window Products Co., INC. All rights reserved.  
Quaker reserves the right to change any/all designs without notice. Due to periodic re-certification requirements, result shown may vary.



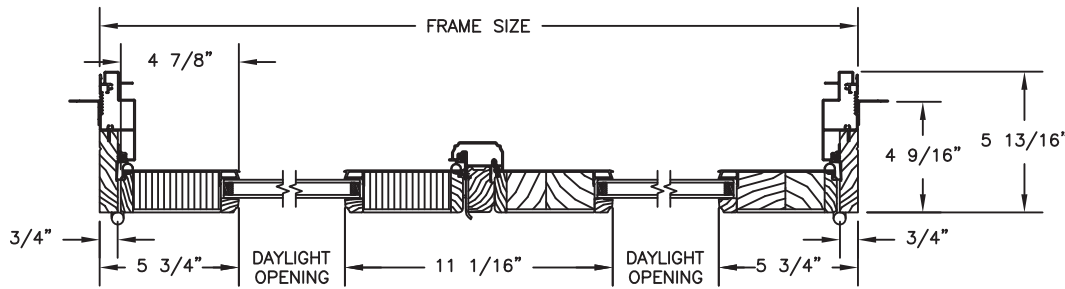
1 PANEL JAMB



2 PANEL JAMB



3 PANEL JAMB



BI-HINGE JAMB