



Brighton 5 15/16" Frame Depth Narrow Rail Hinged Door (Inswing)

BRIGHTON SERIES HINGED DOOR (NARROW RAIL) (INSWING)

FEATURES

- ◇ Framing System
 - 5 13/16' main frame
- ◇ Enhanced Design
 - Solid extruded aluminum clad exterior framing: 0.078" metal thickness
 - Radiatta pine interior
 - 4 7/16" bottom rail height (5 3/16" when including glazing stop)
 - 3 3/8" width on vertical panel rails
 - Bronze anodized or Mill finish aluminum sill
 - Adjustable nailing fin to fit frame depths ranging from 4 9/16" to 5 5/16"
- ◇ Glazing
 - 3/4" insulating glass with warm-edge spacer
 - Low-E with argon gas
- ◇ Hardware
 - 3 Heavy-duty, adjustable hinges
 - Multi-point hardware
 - Handle sets offer multiple styles and finishes
- ◇ Screen
 - Extruded aluminum screen frame with BetterVue™ mesh with WaterShed® technology

BENEFITS

- ◇ The capacity to match exterior colors for unique project facades
- ◇ The capacity to match interior colors for unique decor
- ◇ The ability to facilitate custom sizes for taller and wider door openings

OPTIONS

- ◇ Available Configurations
 - Single Panel Active
 - Fixed-Active, Active-Fixed or Fixed-Fixed
 - Inactive-Active or Active-Inactive (French)
 - Active-Fixed-Fixed, Fixed-Active-Fixed, Fixed-Fixed-Active or Fixed-Fixed-Fixed
 - Sidelites
 - Transoms
- ◇ Muntin Choices
 - Internal, wood removable or simulated divided lites available
- ◇ Panels
 - 1/4 or 1/2 Panel with 0, 1, or 2 simulated raised plots
- ◇ Sill
 - Low-profile option
- ◇ Screen
 - Extruded aluminum screen frame w/alum. wire mesh
 - Extruded aluminum screen frame with sunscreen mesh
 - Extruded aluminum screen frame with stainless steel 0.009" thickness mesh
 - Multiple retractable screen systems
- ◇ Glazing
 - Multiple Low-E and argon glazing choices
 - Capillary tubes
 - Wide variety of glazing, tinting and thickness options
- ◇ Panning & Trim Choices
 - Wide variety of trim available
- ◇ Mulling
 - Wide variety of structural mulls

PERFORMANCE

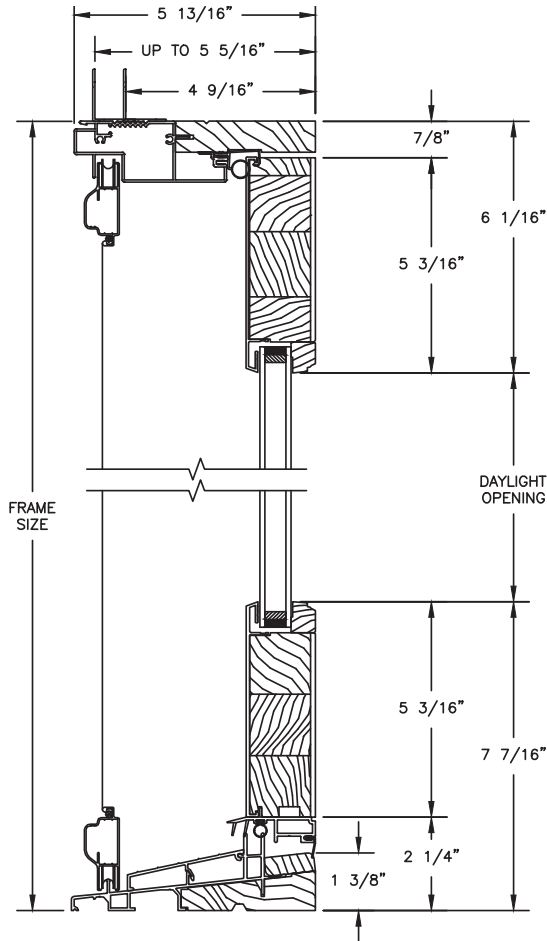
- ◇ Structural & Thermal (test reports or thermal simulations available upon request)

Model	Brighton Hinged Inswing Door
	Active-Fixed
NAFS Rating	R-50
Structural Load P.S.F.	75.19
Air Infiltration	<0.30
Water (No Penetration) P.S.F.	7.52
U-Value (ranges based on multiple Low-E/Argon combinations)	0.28-0.31
SHGC (ranges based on multiple Low-E/Argon combinations)	0.10-0.24
Test size	72" x 95"

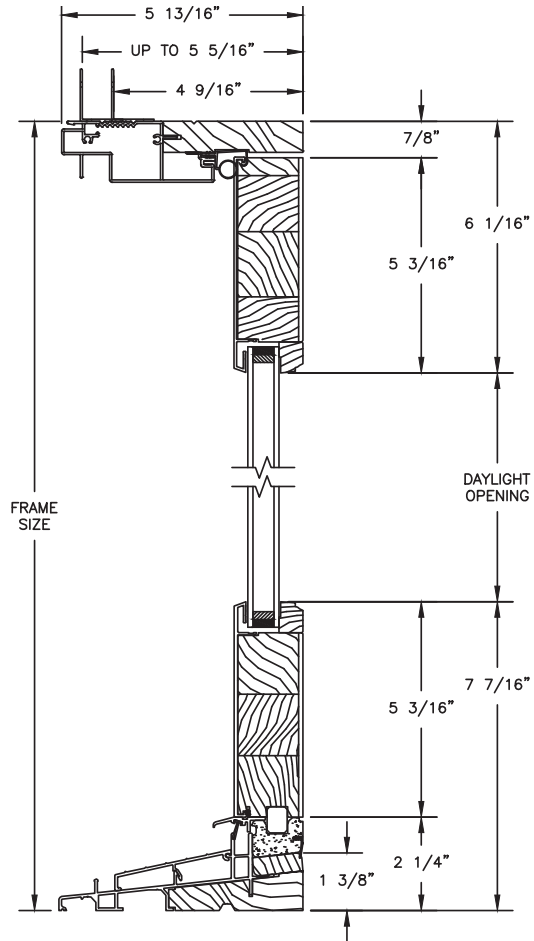
Our products are tested to the standards of and certified by some of the foremost organizations in the fenestration industry.



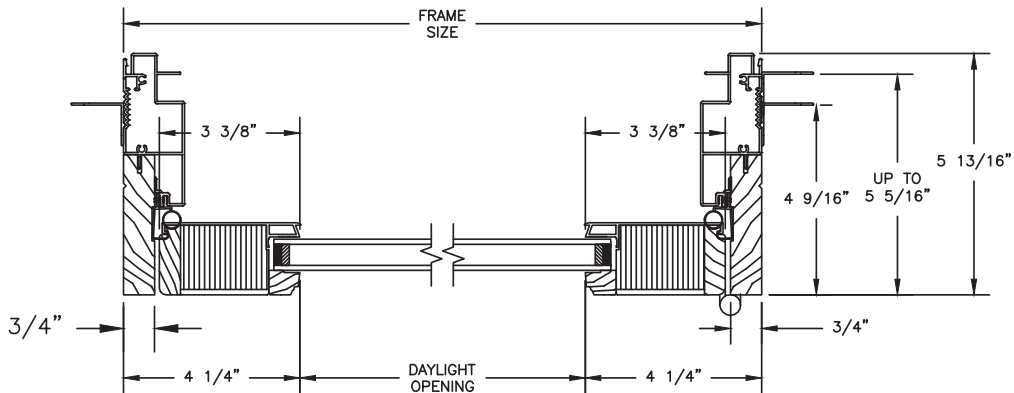
BRIGHTON SERIES HINGED DOOR (NARROW RAIL) (INSWING)



OPERATING HEAD JAMB & SILL



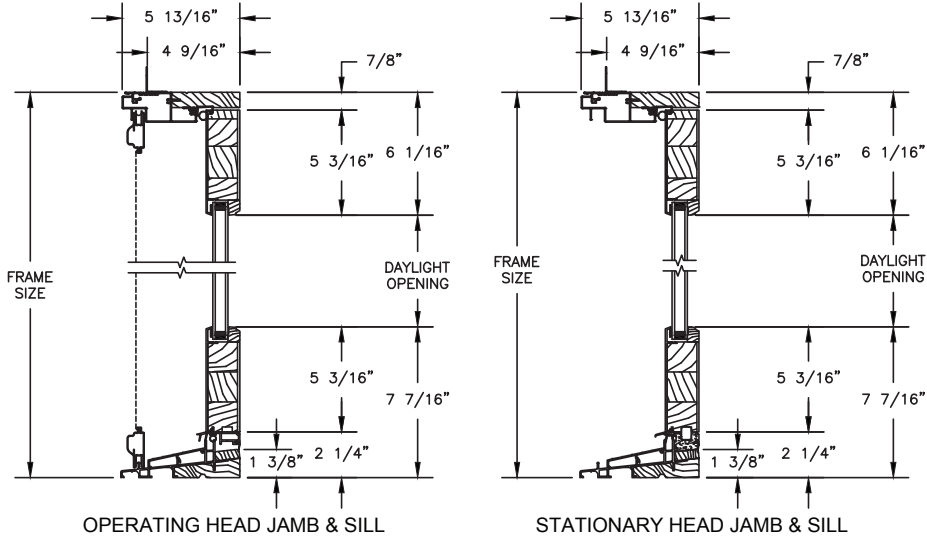
STATIONARY HEAD JAMB & SILL



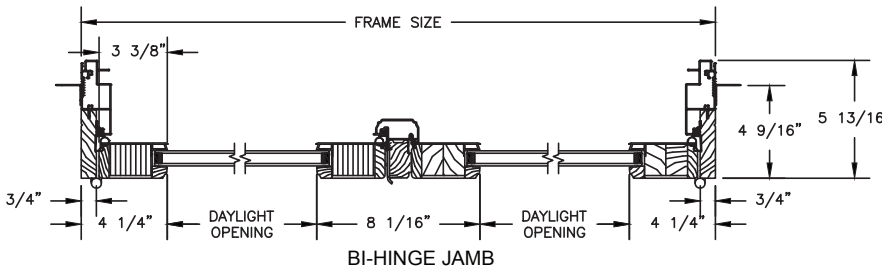
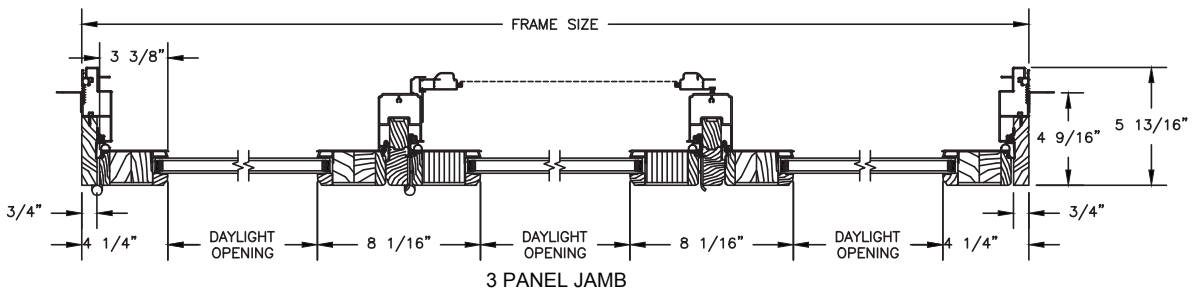
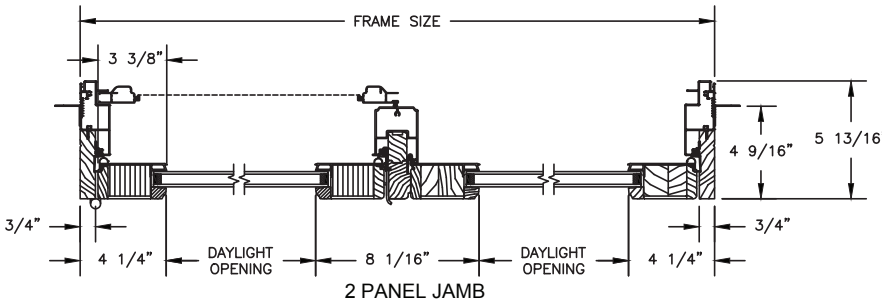
1 PANEL JAMB

This document contains confidential and proprietary information intended for the private use of Quaker. © 2018 Quaker Window Products Co., INC. All rights reserved. Quaker reserves the right to change any/all designs without notice. Due to periodic re-certification requirements, result shown may vary.

BRIGHTON SERIES HINGED DOOR (NARROW RAIL) (INSWING)



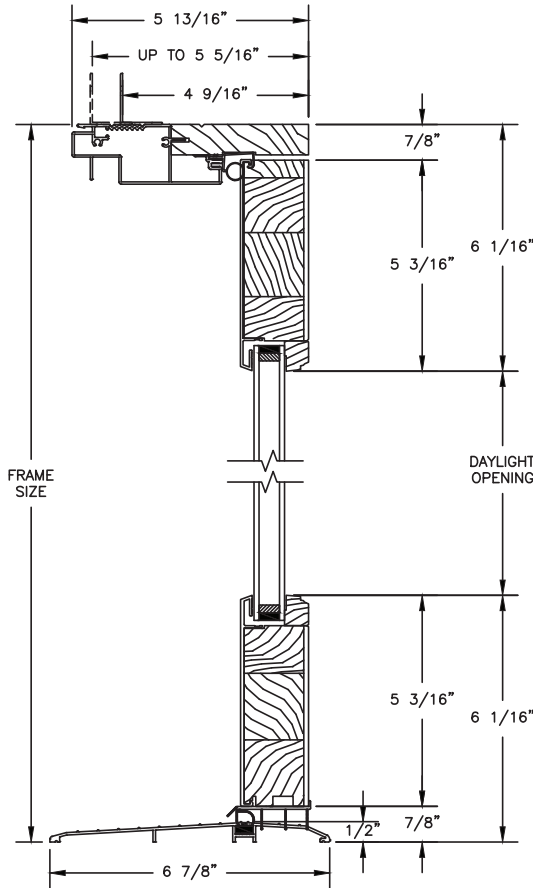
This document contains confidential and proprietary information intended for the private use of Quaker. © 2018 Quaker Window Products Co., INC. All rights reserved. Quaker reserves the right to change any/all designs without notice. Due to periodic re-certification requirements, result shown may vary.



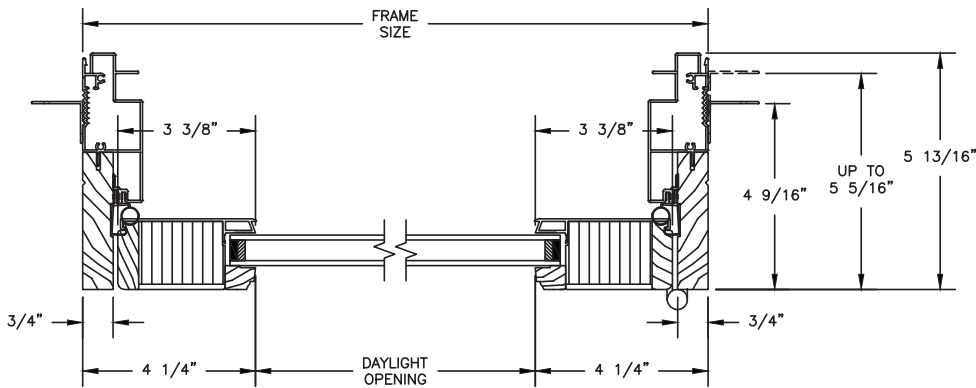
BRIGHTON SERIES HINGED DOOR (NARROW RAIL) (INSWING)

SHOWN WITH
LOW-PROFILE SILL

This document contains confidential and proprietary information intended for the private use of Quaker. © 2018 Quaker Window Products Co., INC. All rights reserved. Quaker reserves the right to change any/all designs without notice. Due to periodic re-certification requirements, result shown may vary.



OPERATING HEAD JAMB & SILL



1 PANEL JAMB

Our products are tested to the standards of and certified by some of the foremost organizations in the fenestration industry.

