



Manchester Series 3 1/4" Frame Depth Picture Window (Fixed)

MANCHESTER SERIES PICTURE WINDOW (FIXED)

FEATURES

- ◇ **Commercial Framing System**
 - 3 1/4" main frame
 - 0.060" wall thickness of frame, 0.070" wall thickness of sash
- ◇ **Enhanced Design**
 - Mitered and welded corners
- ◇ **Glazing**
 - 3/4" insulated glass
- ◇ **Colors**
 - White or Sandstone vinyl (interior/exterior)

BENEFITS

- ◇ The capacity to match exterior colors for unique project facades
- ◇ The ability to facilitate large sizes for taller and wider window openings

OPTIONS

- ◇ **Available Configurations**
 - Picture window
 - Geometric shapes
- ◇ **Muntin Choices**
 - Internal or simulated divided lites available
- ◇ **Nailing Fin**
- ◇ **Glazing**
 - Multiple Low-E and argon glazing choices
 - Triple glazing (Energy TG)
 - Capillary tubes
 - Wide variety of glazing, tinting and thickness options
- ◇ **Panning & Trim Choices**
 - Wide variety of panning, receptor and trim available
- ◇ **Mulling**
 - Wide variety of structural mulls
- ◇ **Colors**
 - High-performance Textured Black laminate (interior/exterior)
 - High-performance Textured Black laminate (exterior only with White vinyl or Textured Black laminate interior)
 - High-performance Textured Dark Bronze laminate (exterior only with White vinyl interior)
 - Twelve painted exterior colors (with White or Sandstone vinyl interior)
 - Unlimited custom painted exterior colors

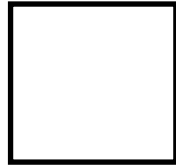
PERFORMANCE

- ◇ Structural & Thermal (test reports or thermal simulations available upon request)

Model	Picture Window (Fixed)	Casement Picture Window
NAFS Rating	R-35	R-40
Structural Load P.S.F.	52.63	60.15
Air at 50 MPH (cfm/ft ²)	0.01	0.01
Water (No Penetration) P.S.F.	6.06	6.06
U-Value (ranges based on multiple Low-E/Argon combinations)	0.22-0.27	0.23-0.26
SHGC (ranges based on multiple Low-E/Argon combinations)	0.14-0.34	0.14-0.32
Window Test Size	48" x 48"	48" x 48"

Our products are tested to the standards of and certified by some of the foremost organizations in the fenestration industry.

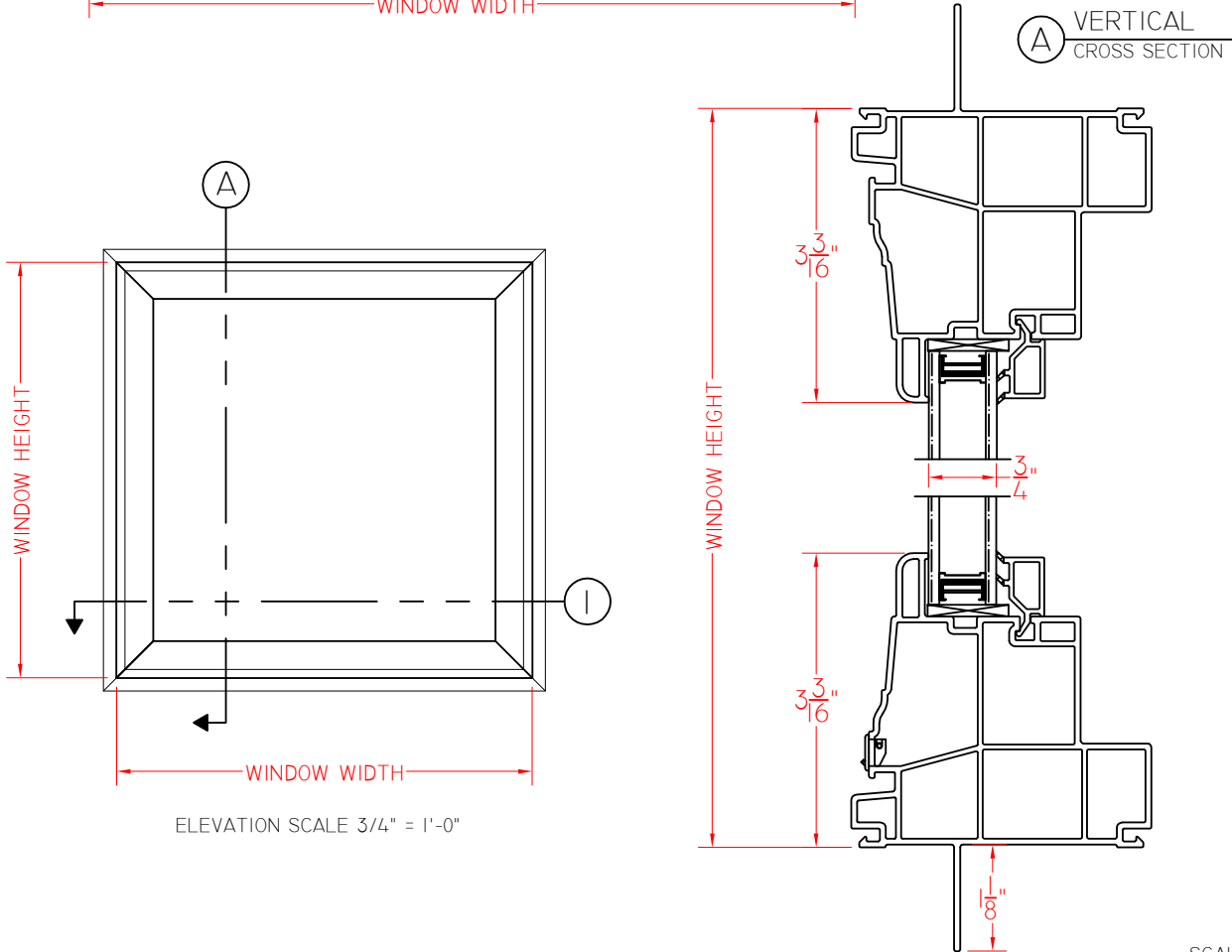
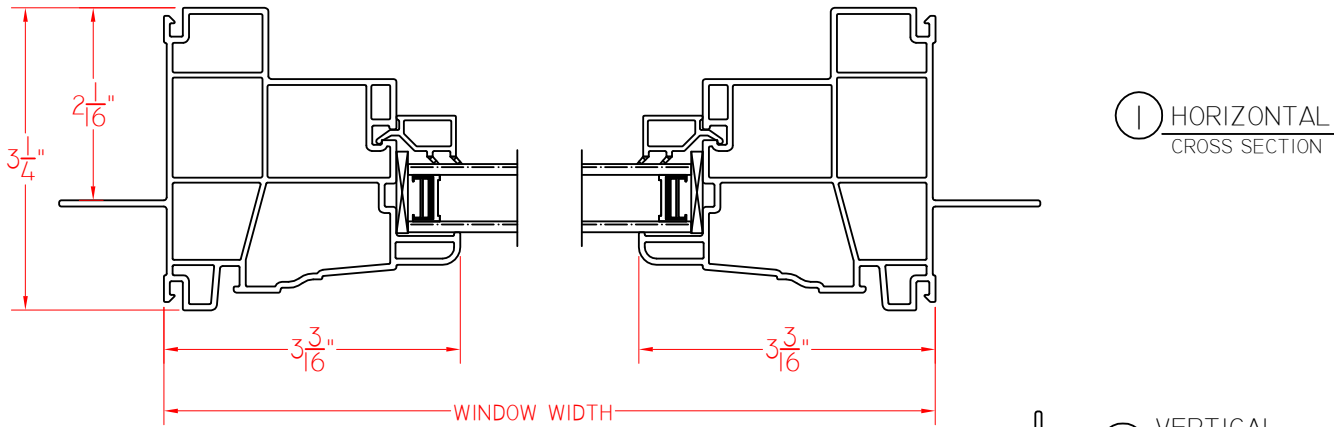




Manchester Series 3 1/4" Frame Depth Picture Window (Fixed)

MANCHESTER CASEMENT DIRECT SET PICTURE WINDOW

This document contains confidential and proprietary information intended for the private use of Quaker.
© 2016 Quaker Window Products Co., INC. All rights reserved.
Quaker reserves the right to change any/all designs without notice. Due to periodic re-certification requirements, result shown may vary.



SCALE 1:2

Our products are tested to the standards of and certified by some of the foremost organizations in the fenestration industry.

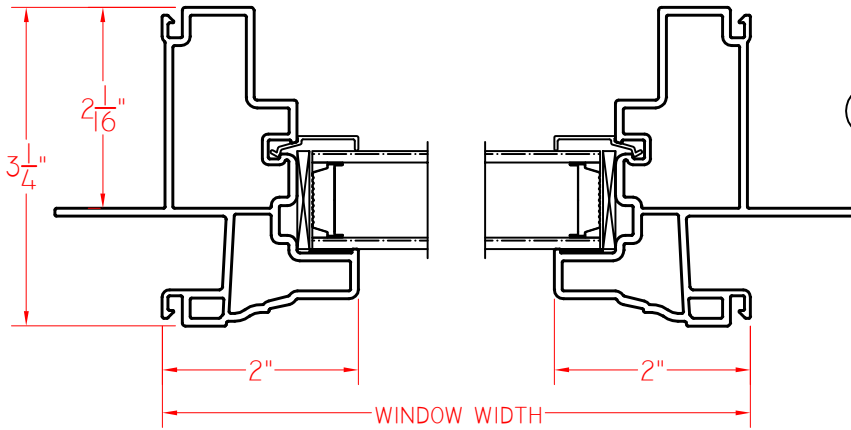




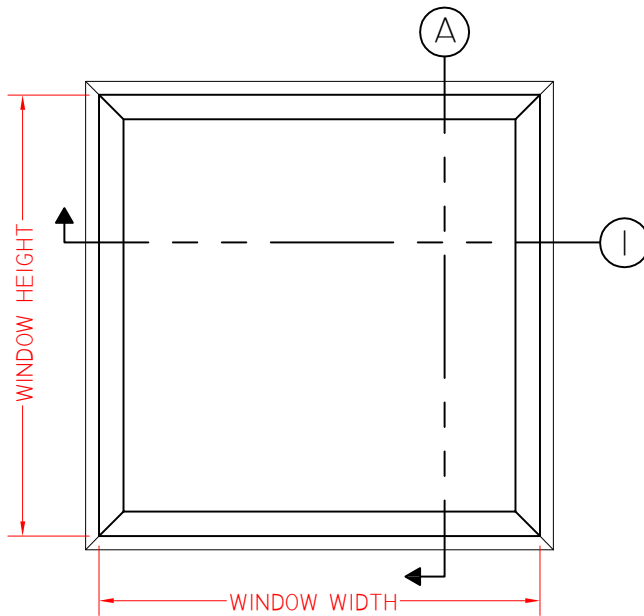
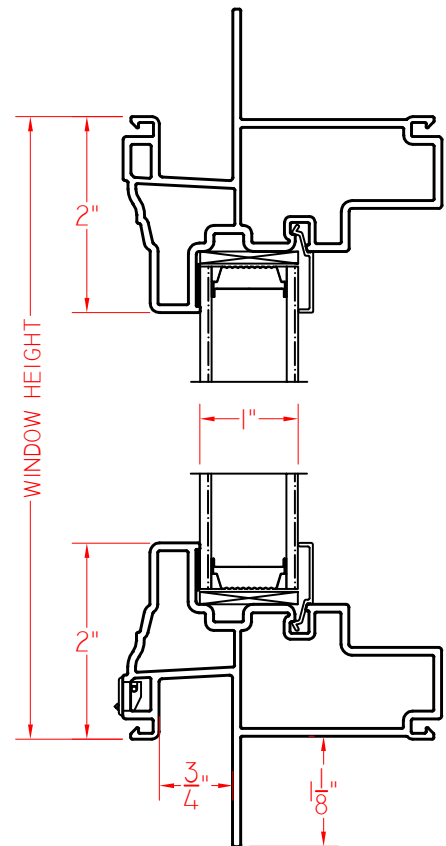
Manchester Series 3 1/4" Frame Depth Picture Window (Fixed)

MANCHESTER NARROW DIRECT SET PICTURE WINDOW

This document contains confidential and proprietary information intended for the private use of Quaker.
© 2017 Quaker Window Products Co., INC. All rights reserved.
Quaker reserves the right to change any/all designs without notice. Due to periodic re-certification requirements, result shown may vary.



② VERTICAL CROSS SECTION



ELEVATION SCALE 3/4" = 1'-0"

SCALE 1:2

Our products are tested to the standards of and certified by some of the foremost organizations in the fenestration industry.

