

# AdvantEdge Series 3 1/4" Frame Depth Casement

## ADVANTEDGE SERIES CASEMENT

### FEATURES

- ◇ **Commercial Framing System**
  - 3 1/4" main frame
  - 0.060" wall thickness of frame, 0.055" wall thickness of sash
- ◇ **Enhanced Design**
  - Mitered and welded corners
  - Foam wrap on main frame
- ◇ **Glazing**
  - 3/4" insulated glass
- ◇ **Hardware**
  - Multi-point locking system with single latch
- ◇ **Screen**
  - Extruded aluminum screen frame with BetterVue™ mesh with WaterShed® technology
- ◇ **Colors**
  - White or Sandstone vinyl (interior/exterior)

### BENEFITS

- ◇ The capacity to match exterior colors for unique project facades
- ◇ The ability to facilitate large sizes for taller and wider window openings

### PERFORMANCE

- ◇ **Structural & Thermal** (test reports or thermal simulations available upon request)

Model	Casement
NAFS Rating	R-40
Structural Load P.S.F.	60.15
Air at 50 MPH (cfm/ft <sup>2</sup> )	0.01
Water (No Penetration) P.S.F.	6.06
U-Value (ranges based on multiple Low-E/Argon combinations)	0.23-0.27
SHGC (ranges based on multiple Low-E/Argon combinations)	0.12-0.43

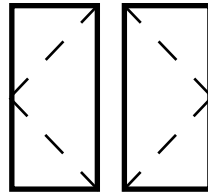
Window test size: 24" × 60"  
Operating Force: 1.2 lbf (Initiate motion), 2.5 lbf (Latches)

### OPTIONS

- ◇ **Available Configurations**
  - Project-out casement
- ◇ **Muntin Choices**
  - Internal or simulated divided lites available
- ◇ **Hardware**
  - Egress hardware
  - Limited travel hardware
- ◇ **Screen**
  - Extruded aluminum screen frame with aluminum wire mesh
  - Extruded aluminum screen frame with sunscreen mesh
  - Extruded aluminum screen frame with stainless steel 0.009" thickness mesh
- ◇ **Glazing**
  - Multiple Low-E and argon glazing choices
  - Triple glazing (Energy TG)
  - Capillary tubes
  - Wide variety of glazing, tinting and thickness options
- ◇ **Installation Accessories**
  - Head Expander
  - Sill Expander
  - Pre-drilled jambs
- ◇ **Panning & Trim Choices**
  - Wide variety of panning, receptor and trim available
- ◇ **Mulling**
  - Wide variety of structural mulls
- ◇ **Colors**
  - High-performance Textured Black laminate (interior/exterior)
  - High-performance Textured Black laminate (exterior only with White vinyl interior)
  - Twelve painted exterior colors (with White or Sandstone vinyl interior)
  - Unlimited custom painted exterior colors

Our products are tested to the standards of and certified by some of the foremost organizations in the fenestration industry.

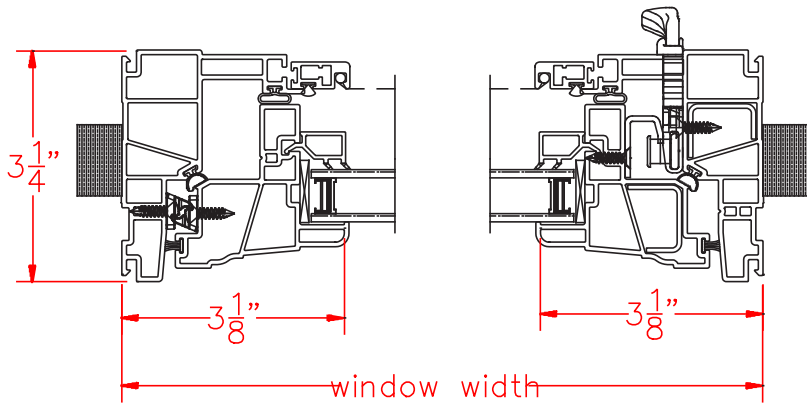




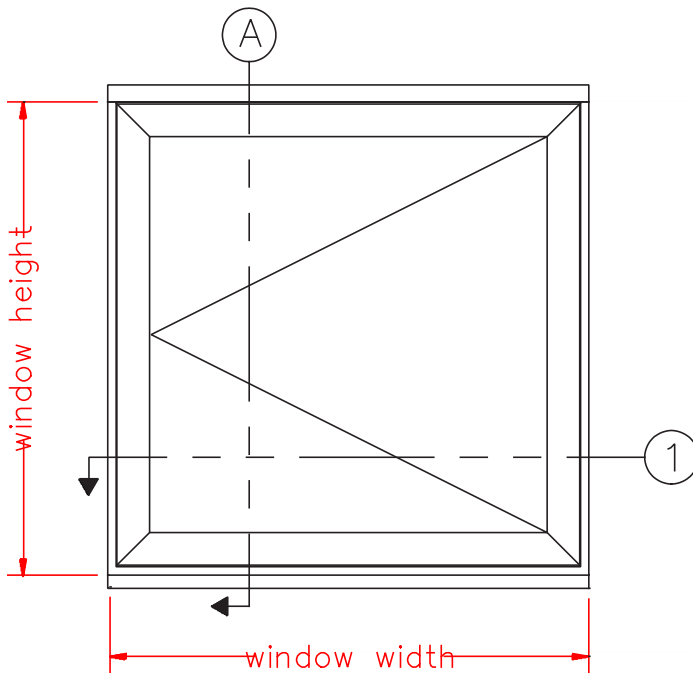
# AdvantEdge Series 3 1/4" Frame Depth Casement

## ADVANTEDGE SERIES CASEMENT

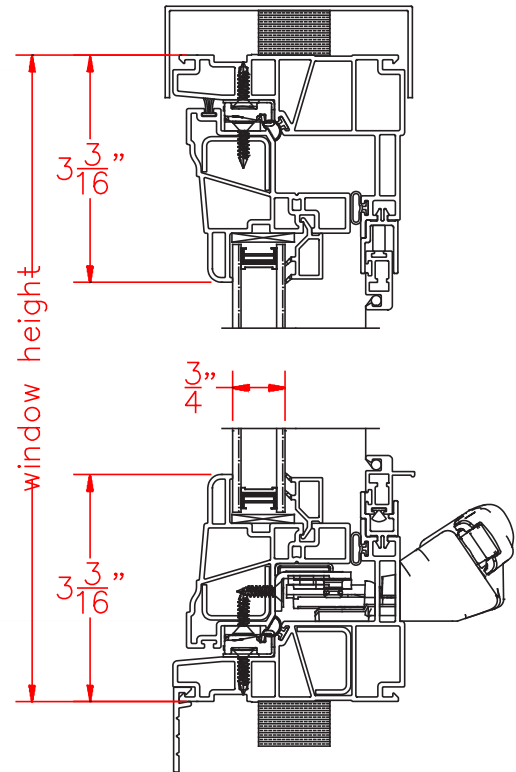
This document contains confidential and proprietary information intended for the private use of Quaker.  
© 2016 Quaker Window Products Co., INC. All rights reserved.  
Quaker reserves the right to change any/all designs without notice. Due to periodic re-certification requirements, result shown may vary.



Ⓐ VERTICAL CROSS SECTION



ELEVATION SCALE  $3/4" = 1'-0"$



Our products are tested to the standards of and certified by some of the foremost organizations in the fenestration industry.

