



# AdvantEdge 5 5/8" Frame Depth Sliding Door

## ADVANTEDGE SERIES SLIDING DOOR

### FEATURES

- ◇ **Commercial Framing System**
  - 5 5/8' main frame (4 9/16" fin to interior)
- ◇ **Enhanced Design**
  - Mitered and fusion welded corners
  - 0.075" vinyl thickness
  - Aluminum sill
  - Galvanized steel reinforcements
- ◇ **Glazing**
  - 1" insulated glass
  - Low-E with argon gas
- ◇ **Hardware**
  - Heavy-duty tandem wheel rollers make operation easy and smooth
  - D-Loop Plated Hardware with either thumb latch or keyed locking system
- ◇ **Screen**
  - Extruded aluminum screen frame with BetterVue™ mesh
- ◇ **Colors**
  - White or Sandstone vinyl (interior/exterior)

### BENEFITS

- ◇ The capacity to match exterior colors for unique project facades
- ◇ The ability to facilitate custom sizes for taller and wider door openings

### PERFORMANCE

- ◇ **Structural & Thermal** (test reports or thermal simulations available upon request)

Model	Sliding Door
	Active-Fixed
AAMA/WDMA/CSA 101/I.S.2/A440-08 Rating	R-35
Structural Load P.S.F.	52.5
Air at 25 MPH (cfm/ft <sup>2</sup> )	.09
Water (No Penetration) P.S.F.	5.25
U-Value (ranges based on multiple Low-E/Argon combinations)	0.24-0.30
SHGC (ranges based on multiple Low-E/Argon combinations)	0.14-0.51
Test size	

### OPTIONS

- ◇ **Available Configurations**
  - Fixed-Active
  - Active-Fixed
  - Glide-Fixed-Fixed, Fixed-Glide-Fixed or Fixed-Fixed-Glide
  - Fixed-Active-Active-Fixed
  - Sidelites
  - Transoms
  - Special sizing for ADA purposes
  - Reversible panels only on doors less than 72" tall (some in-field assembly will be required)
- ◇ **Muntin Choices**
  - Internal or simulated divided lites available
- ◇ **Screen**
  - Extruded aluminum screen frame with aluminum wire mesh
  - Extruded aluminum screen frame with sunscreen mesh
  - Extruded aluminum screen frame with stainless steel 0.009" thickness mesh
- ◇ **Glazing**
  - Tilt & Turn blinds between the glass
  - Triple glazing (Energy TG)
  - Capillary tubes
  - Wide variety of glazing, tinting and thickness options
- ◇ **Panning & Trim Choices**
  - Wide variety of panning, receptor and trim available
- ◇ **Mulling**
  - Wide variety of structural mulls
- ◇ **Colors**
  - High-performance Textured Black laminate (interior/exterior)
  - High-performance Textured Black laminate (exterior only with White vinyl or Textured Black laminate interior)
  - High-performance Textured Dark Bronze laminate (exterior only with White vinyl interior)
  - Twelve painted exterior colors (with White or Sandstone vinyl interior)
  - Unlimited custom painted exterior colors

Our products are tested to the standards of and certified by some of the foremost organizations in the fenestration industry.

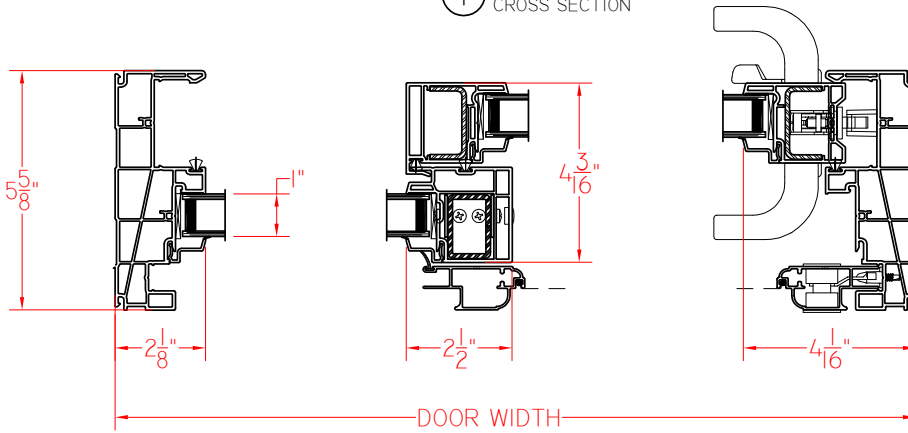


# ADVANTEDGE SERIES SLIDING DOOR

This document contains confidential and proprietary information intended for the private use of Quaker.  
© 2019 Quaker Window Products Co., INC. All rights reserved.  
Quaker reserves the right to change any/all designs without notice. Due to periodic re-certification requirements, result shown may vary.

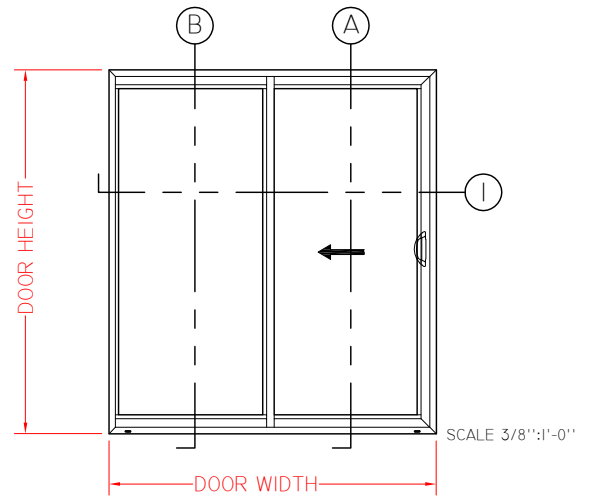
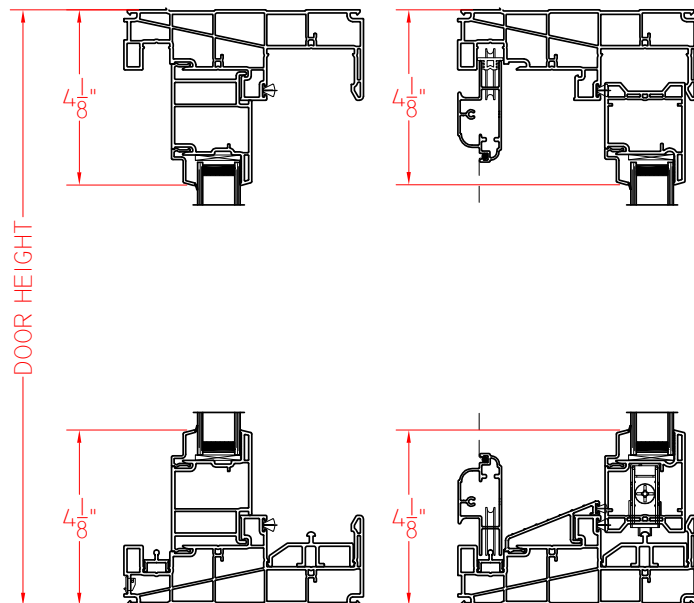
RESIDENTIAL

① HORIZONTAL CROSS SECTION



② VERTICAL CROSS SECTION

③ VERTICAL CROSS SECTION



SCALE 1:4

Our products are tested to the standards of and certified by some of the foremost organizations in the fenestration industry.

